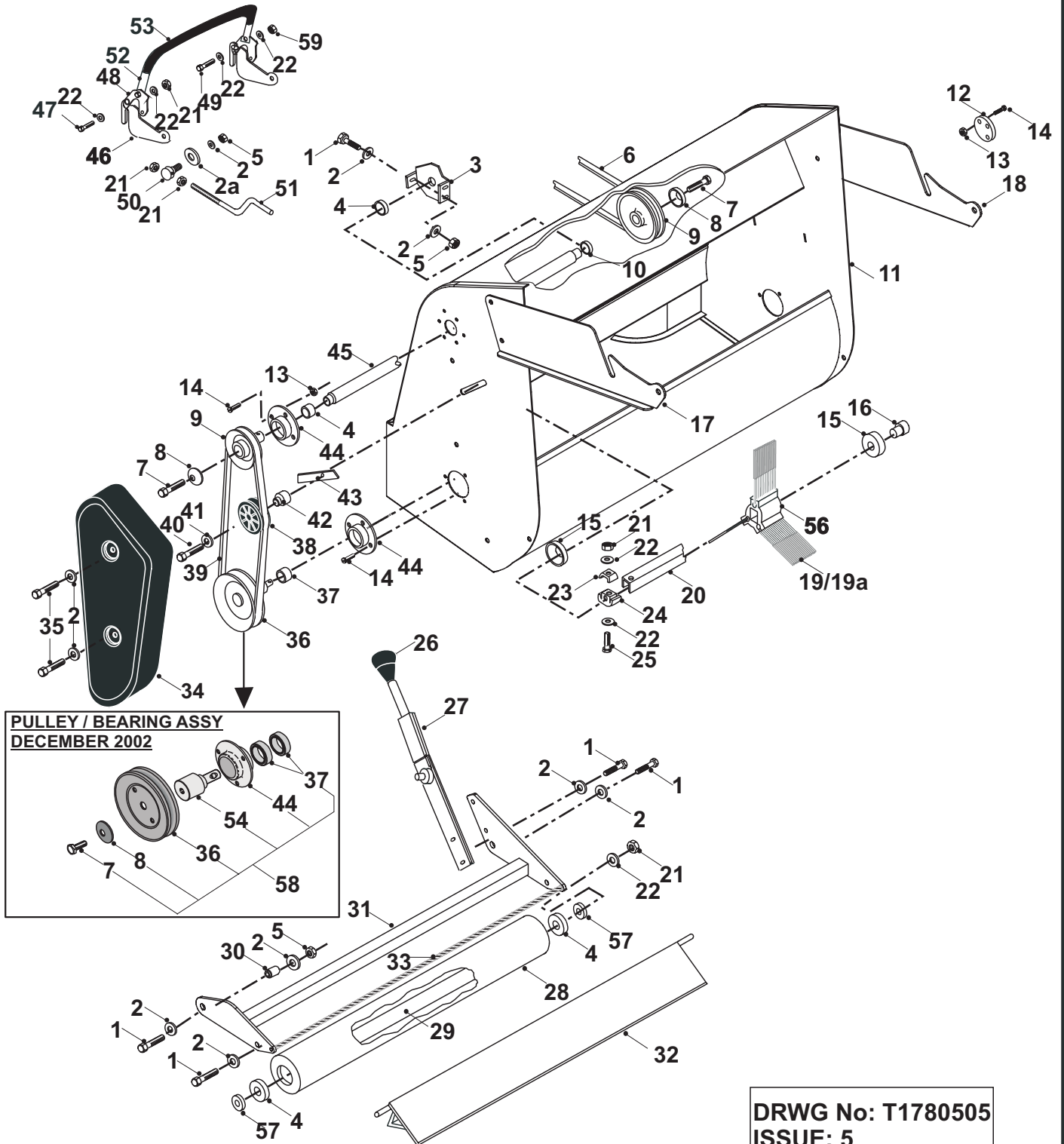


**WESTWOOD TRACTOR  
POWERED  
GRASS COLLECTOR**



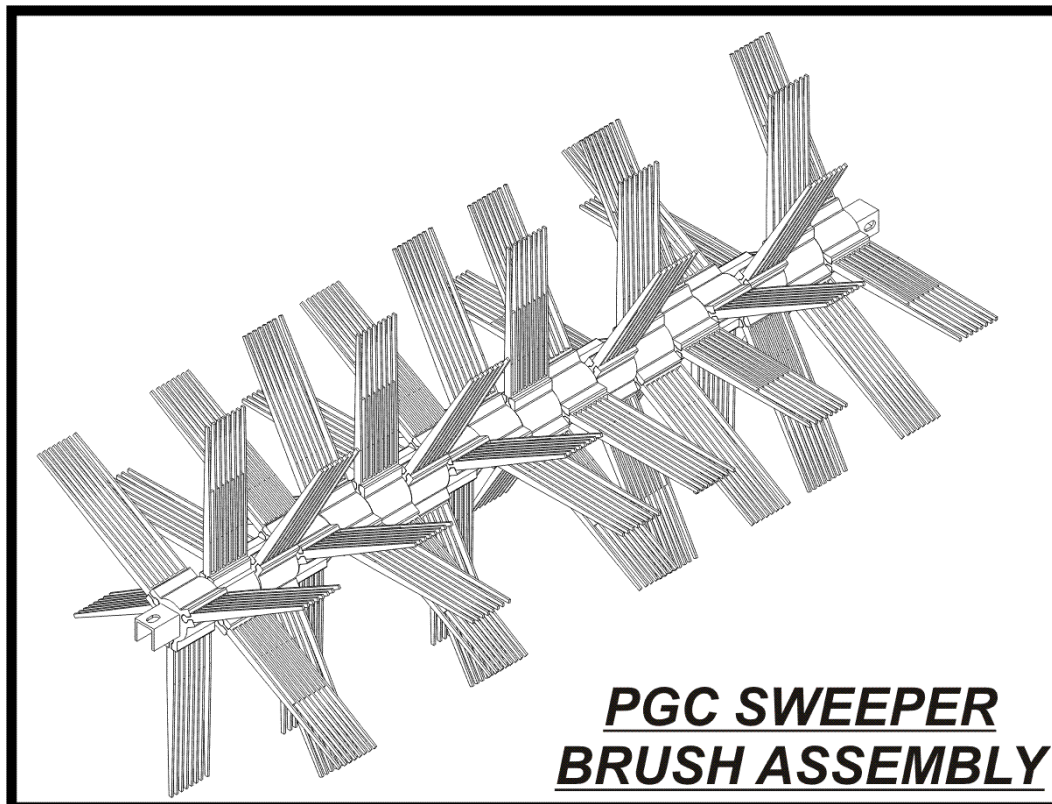
**DRWG No: T1780505  
ISSUE: 5  
SECTION 11**

**WESTWOOD TRACTOR  
POWERED GRASS COLLECTOR  
PARTS LIST**

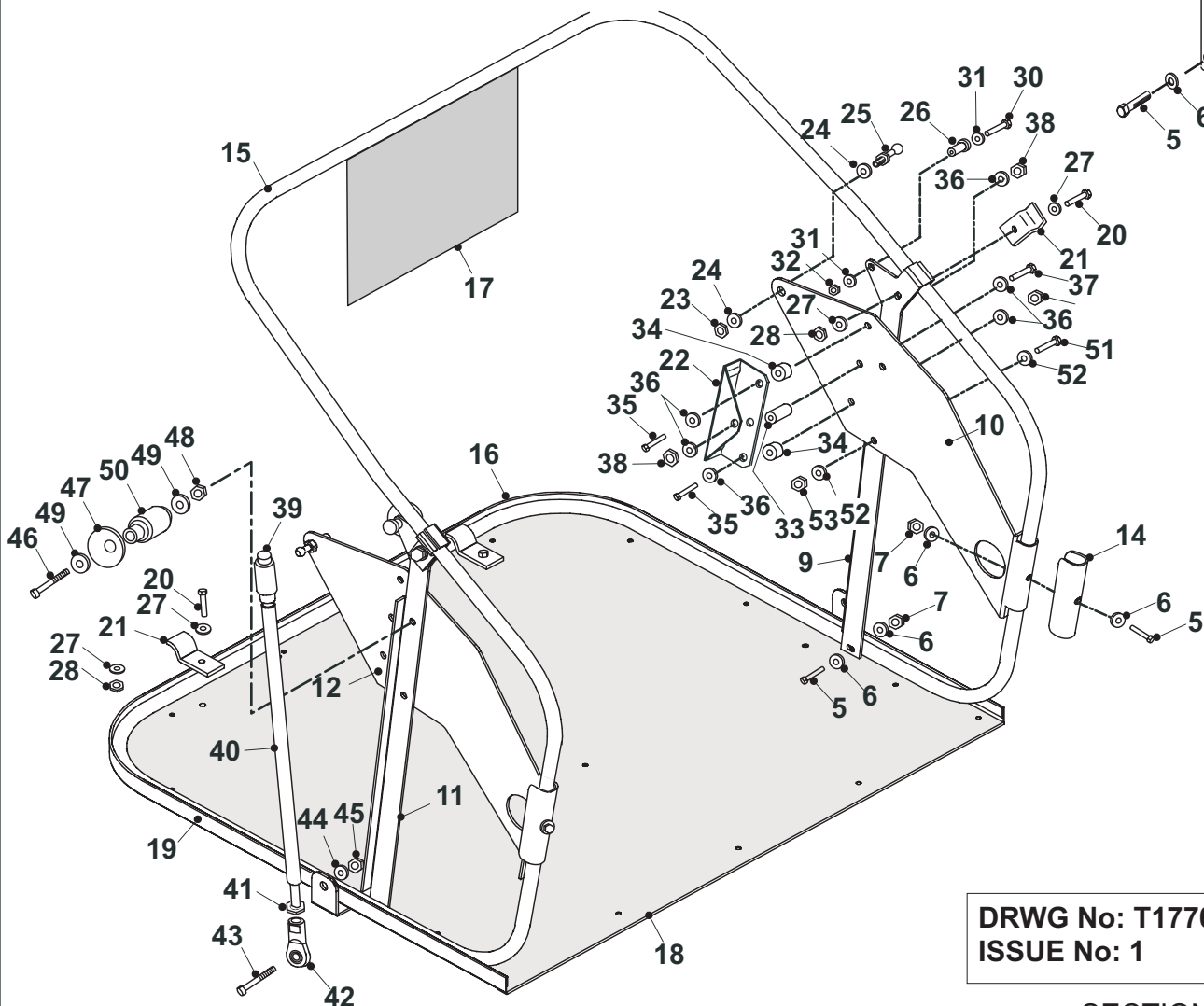
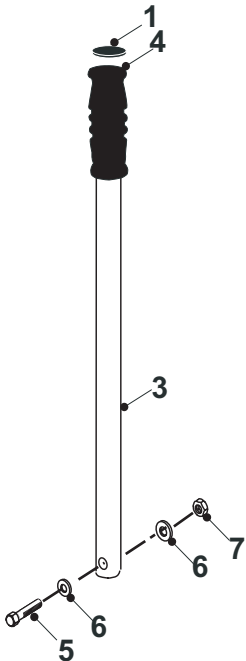
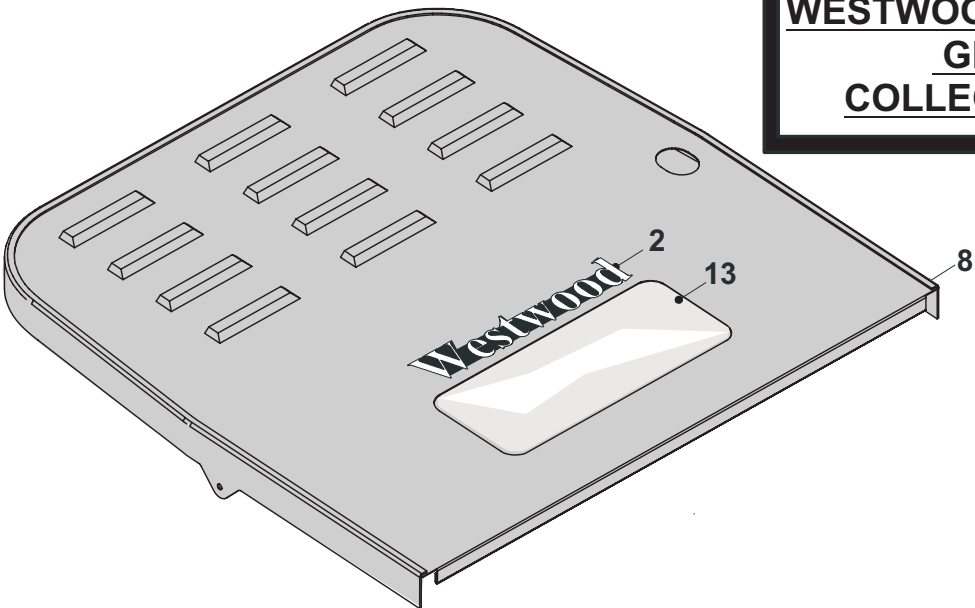
|     | PART DESCRIPTION                              | PART NUMBER               |
|-----|-----------------------------------------------|---------------------------|
| 1   | M8 x 30mm Bolt                                | 01902600                  |
| 2   | M8 Washer                                     | 08819501                  |
| 2a  | Nylon Washer (Friction Plate)                 | 088002300                 |
| 3   | Idler Bearing Housing                         | 307025600                 |
| 4   | Bearing ( PTO Housing)                        | 10811600                  |
| 5   | M8 Nyloc Nut                                  | 04920100                  |
| 6   | Belt A49 Super II                             | 228001200                 |
| 7   | M10 x 30mm Set Screw BZP                      | 02886000                  |
| 8   | Domed Washer 1.3/4 i. d x 3/8 o.d. x 1/8 dome | 08819900                  |
| 9   | 3" Pulley (Non - Keyed)                       | 32727600                  |
| 10  | PTO End Spacer                                | 31306200                  |
| 11  | Sweeper Main Body                             | 327172600                 |
| 12  | Sweeper Bearing Cap                           | 30117500                  |
| 13  | M5 Nyloc Nut                                  | 04885900                  |
| 14  | Screw M5 x 16mm Pozi Pan ZP                   | 02940500                  |
| 15  | Slinger                                       | 32121800                  |
| 16  | Brush Stock Spindle - Short                   | 31323900                  |
| 17  | Bag Ear R/H                                   | 307025500                 |
| 18  | Bag Ear L/H                                   | 301057700                 |
| 19  | Bristle Insert Webbed                         | 14936301                  |
| 19a | Bristle Insert Unwebbed                       | 14898101                  |
| 20  | Brush Stock                                   | 17400200                  |
| 21  | M6 Nyloc Nut                                  | 04920500                  |
| 22  | Washer M6                                     | 088003000 use<br>08827800 |
| 23  | Brush Drive Moulding – Top (small)            | 14834100                  |
| 24  | Brush Drive Moulding – Bottom (large)         | 14832900                  |
| 25  | Bolt M6x45mm Hex Head BZP                     | 01800400                  |
| 26  | Lever Knob                                    | 14804800                  |
| 27  | Sweeper Roller Height Handle                  | 327171800                 |
| 28  | Roller                                        | 32731900                  |
| 29  | Internal Shaft Sweeper Roller                 | 183024400                 |
| 30  | Roller Plate Bush                             | 31329200                  |
| 31  | Roller Carrier                                | 327172400                 |
| 32  | Flap Plate                                    | 327016500                 |
| 33  | Sweeper Roller Scraper Cable                  | 528004400                 |
| 34  | Plastic Pulley Cover                          | 148005400                 |
| 35  | Bolt M8x65mm                                  | 028662700                 |
| 36  | Sweeper Pulley & Shaft<br>Pulley 5" PGC 2002  | 327002600<br>209044200    |
| 37  | Bearing 6203ZZ                                | 10845500                  |
| 38  | PTO Jockey Pulley Plastic                     | 20811500                  |

**WESTWOOD TRACTOR  
POWERED GRASS COLLECTOR  
PARTS LIST**

|    | PART DESCRIPTION                            | PART NUMBER |
|----|---------------------------------------------|-------------|
| 39 | Belt – Sweeper `V` Type                     | 22832800    |
| 40 | Bolt M8x50mm                                | 018001800   |
| 41 | Sweeper Jockey Cap                          | 31351100    |
| 42 | Sweeper Jockey Spacer                       | 31350400    |
| 43 | Bearing Shield                              | 30121900    |
| 44 | Bearing Housing 17mm                        | 27106601    |
| 45 | Idler Shaft                                 | 183005700   |
| 46 | PGC Locking Handle                          | 307177800   |
| 47 | M6x16mm Set Screw                           | 028662300   |
| 48 | L.H. PGC Lever Lock                         | 30149800    |
|    | R.H. PGC Lever Lock                         | 30150300    |
| 49 | Bolt M6x20mm                                | 018000300   |
| 50 | PGC Belt Tension Adjust Trunnion            | 183003800   |
| 51 | Belt Tension Adjustment Rod                 | 313003500   |
| 52 | PGC Locking Handle Plate                    | 178966300   |
| 53 | NPVC Black Hand Grip                        | 149496600   |
| 54 | Brush Stock Spindle (from December 2002)    | 183027900   |
| 55 | Decal “PGC Height” (Not Illustrated)        | 35937600    |
| 56 | Bristle Boss                                | 14833000    |
| 57 | Sweeper Roller Tubular Spacer               | 31350701    |
| 58 | PGC Pulley Bearing Kit (from December 2002) | 401001500   |
| 59 | M6 Nyloc Nut                                | 04920500    |



**WESTWOOD POWERED  
GRASS  
COLLECTOR NET**



**DRWG No: T1770101  
ISSUE No: 1**

**SECTION 12**

**WESTWOOD TRACTOR  
POWERED GRASS COLLECTOR NET  
PARTS LIST**

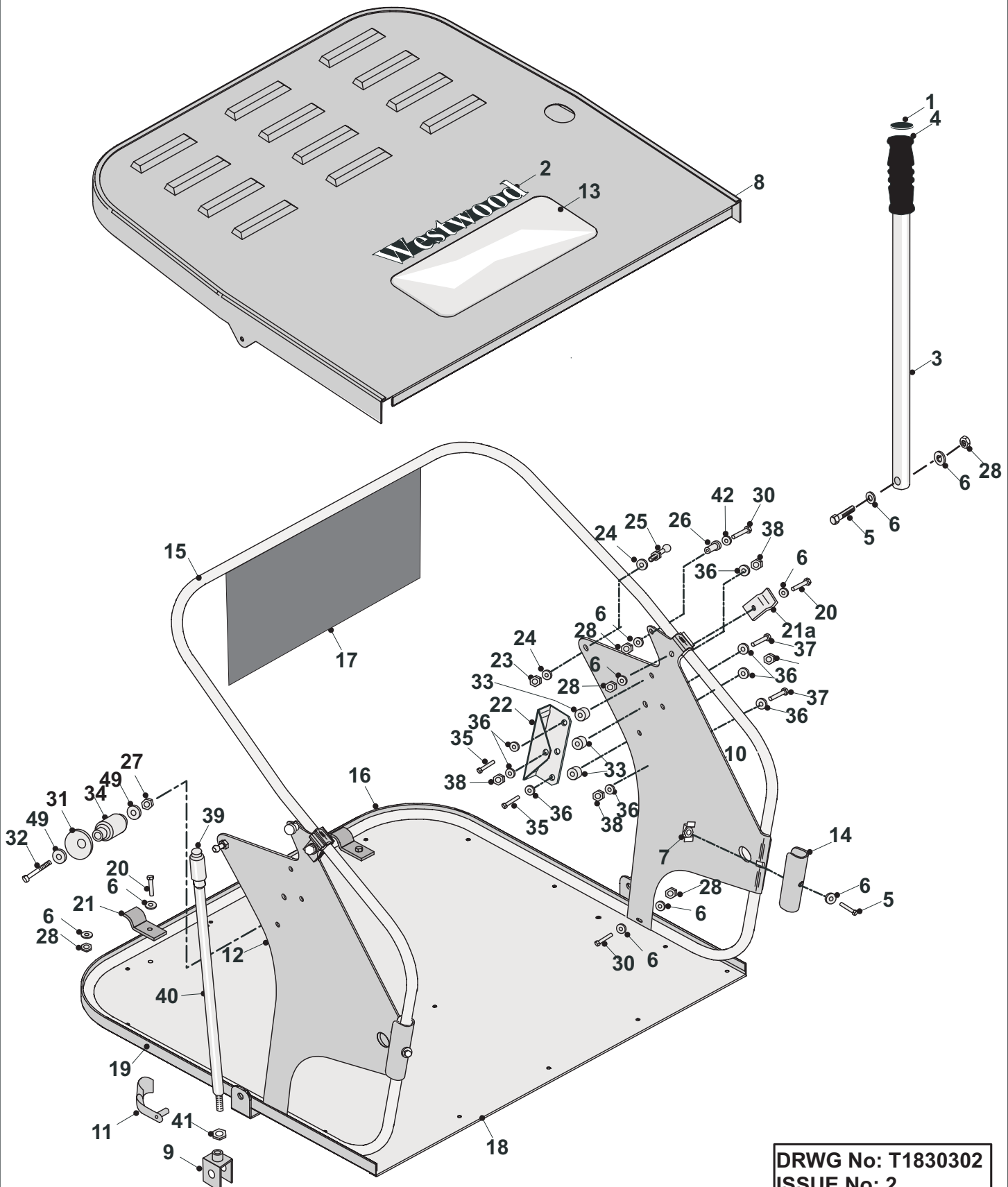
|    | PART DESCRIPTION            | PART NUMBER |
|----|-----------------------------|-------------|
| 1  | Soft Foam Grip End Plug     | 14880500    |
| 2  | Westwood Decal              | 9370        |
| 3  | Net Tipping Handle          | 48402800    |
| 4  | Net Tipping Foam Grip       | 38936500    |
| 5  | Bolt M6 x 35mm              | 028007000   |
| 6  | Washer M6                   | 088003000   |
| 7  | Nut Nyloc M6                | 04920500    |
| 8  | Net Lid                     | 327018500   |
| 9  | Goal Post L/H               | 301057900   |
| 10 | Goal Post Plate L/H         | 301058100   |
| 11 | Goal Post R/H               | 301057800   |
| 12 | Goal Post Plate R/H         | 301058000   |
| 13 | Window                      | 14871500    |
| 14 | Net Frame Clamping Plate    | 30149600    |
| 15 | Net Frame Top               | 174006800   |
| 16 | Net Frame Bottom            | 174006900   |
| 17 | Net                         | 389471900   |
| 18 | Net Floor (Galvanised)      | 301058300   |
| 19 | Floor Surround (Galvanised) | 307026400   |
| 20 | Bolt M6 x 20mm              | 018000300   |
| 21 | Frame Tube Clamp            | 301008400   |
| 22 | Tipping Handle Channel      | 307177300   |
| 23 | Nut Nyloc M10               | 04886100    |
| 24 | Spacer                      | 183025600   |
| 25 | Ball End Shaft 10mm         | 183010300   |
| 26 | Net Lid Spacer              | 18321000    |
| 27 | Washer M6                   | 088000300   |
| 28 | Nut Nyloc M6                | 04920500    |
| 30 | Screw M6 x 40mm             | 01901000    |
| 31 | Washer M6                   | 088000300   |
| 32 | Nut Nyloc M6                | 04920500    |
| 33 | Spacer 32 x 14 x 10 i.d.    | 31330800    |
| 34 | Spacer 26 x 18 x 8 i.d.     | 183024001   |
| 35 | Bolt M8 x 35mm              | 01935700    |
| 36 | Washer M8                   | 088000200   |
| 37 | Bolt M8 x 20mm              | 02825900    |
| 38 | Nut M8                      | 04822300    |

**WESTWOOD TRACTOR  
POWERED GRASS COLLECTOR NET  
PARTS LIST**

|    | PART DESCRIPTION         | PART NUMBER |
|----|--------------------------|-------------|
| 39 | Quick Release Ball Joint | 183024900   |
| 40 | Link Arm Support         | 183010400   |
| 41 | Locknut M10              | 04872100    |
| 42 | Rod End M10              | 10872600    |
| 43 | Screw M10 x 25mm         | 028002300   |
| 44 | Washer M10               | 088002400   |
| 45 | Half Nut Nyloc           | 068000400   |
| 46 | Bolt M8 x 55mm           | 028662600   |
| 47 | Domed Washer             | 307029900   |
| 48 | Nut Nyloc M8             | 04920100    |
| 49 | Washer M8                | 088000200   |
| 50 | Bag Frame Pivot          | 183023900   |



# WESTWOOD POWERED GRASS COLLECTOR NET



DRWG No: T1830302  
ISSUE No: 2

## SECTION 12A

**WESTWOOD TRACTOR  
POWERED GRASS COLLECTOR NET 2002  
PARTS LIST**

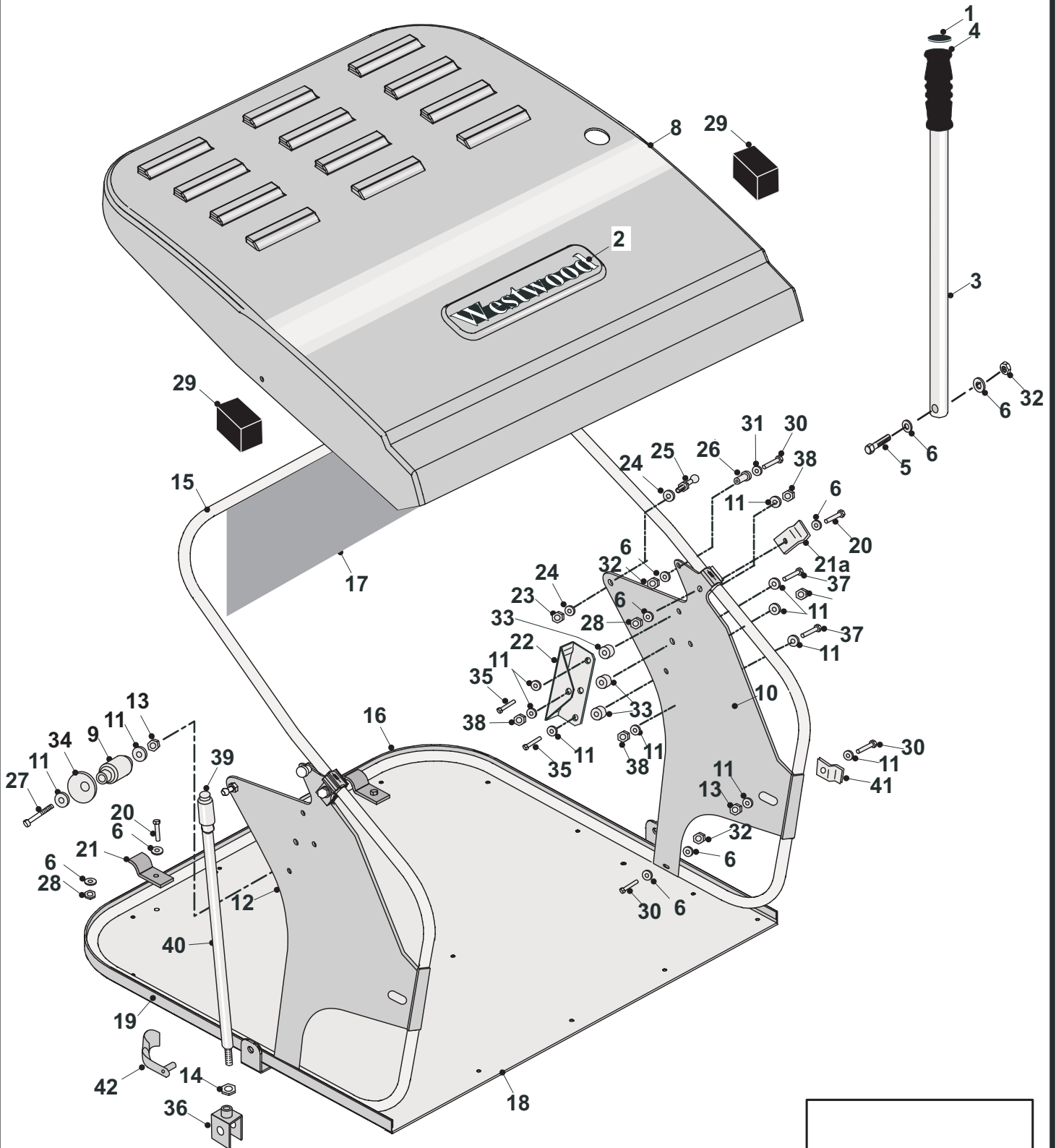
|     | PART DESCRIPTION                             | PART NUMBER |
|-----|----------------------------------------------|-------------|
| 1   | Bag Tipping Handle Plug                      | 14880500    |
| 2   | Westwood Decal                               | 9370        |
| 3   | Tipping Handle                               | 48402800    |
| 4   | Soft Handle Grip (Black) c/w 14880500 (Plug) | 38936500    |
| 5   | M6 x 40mm M/C Screw Pan Head                 | 02901000    |
| 6   | Washer 9/16"                                 | 08827800    |
| 7   | M6 x 3mm Captive Nut                         | 049381900   |
| 8   | PGC Bag Lid c/w Plastic Window               | 148006200   |
| 9   | 10mm x 1.5mm Clevis Short                    | 108000600   |
| 10  | Sweeper Net RH Side Plate                    | 307187200   |
| 11  | 10mm Spring Pin Short                        | 108000500   |
| 12  | Sweeper Net LH Side Plate                    | 307187300   |
| 13  | Sweeper Window                               | 14871500    |
| 14  | PGC Bag Clamping Plate                       | 30149600    |
| 15  | MK2 Sweeper Upper Bag Frame                  | 174006800   |
| 16  | MK2 Sweeper Lower Bag Frame                  | 174006900   |
| 17  | PGC Collector Net 2002                       | 389471901   |
| 18  | Tr Sweeper Galvanised Floor 2002             | 301058300   |
| 19  | Floor Surround (Galvanised)                  | 307026400   |
| 20  | Bolt M6 x 20mm                               | 018000300   |
| 21  | Bag Floor Clamp                              | 301008400   |
| 21a | Frame Tube Clamp                             | 292005100   |
| 22  | Tipping Handle Channel                       | 307177300   |
| 23  | M10 Nyloc Nut                                | 04886100    |
| 24  | Washer 10.8 i.d x 20.7 o.d x 2mm thk         | 088002400   |
| 25  | Quick Release Ball End Shaft                 | 183010300   |
| 26  | Deck Hanging Bracket Pivot                   | 18321000    |
| 27  | M8 Nut Nyloc                                 | 04920100    |
| 28  | Nut M6 Nyloc                                 | 04920500    |
| 30  | Screw M6 x 40mm Pan Head Slotted             | 02901000    |
| 31  | Domed Washer                                 | 307029900   |
| 32  | Bolt M8 x 55mm                               | 028662600   |
| 33  | Spacer.                                      | 31330800    |
| 34  | Boss Bag Frame Pivot                         | 183023900   |
| 35  | M8 x 35mm Bolt                               | 01935700    |
| 36  | M8 Washer                                    | 08819501    |
| 37  | Bolt M8 x 20mm                               | 02825900    |
| 38  | Full Nut M8 Z/P                              | 04822300    |



**WESTWOOD V20/50 TRACTOR  
POWERED GRASS COLLECTOR NET 2002  
PARTS LIST**

|    | PART DESCRIPTION                          | PART NUMBER |
|----|-------------------------------------------|-------------|
| 39 | Quick Release Ball Joint c/w Ball Section | 183024900   |
| 40 | PGC Adjuster Link Rod                     | 183010402   |
| 41 | M10 Locknut                               | 04872100    |

# WESTWOOD TRACTOR PGC COLLECTOR NET 2004



SECTION 12B

**WESTWOOD TRACTOR  
POWERED GRASS COLLECTOR NET 2004  
PARTS LIST**

|     | PART DESCRIPTION                              | PART NUMBER |
|-----|-----------------------------------------------|-------------|
| 1   | Bag Tipping Handle Plug                       | 14880500    |
| 2   | Westwood Decal                                | 9370        |
| 3   | Tipping Handle                                | 48402800    |
| 4   | Soft Handle Grip ( Black) c/w 14880500 (Plug) | 38936500    |
| 5   | M6 x 40mm Screw Pan Head                      | 02901000    |
| 6   | Washer 9/16"                                  | 08827800    |
| 7   | M6 x 3mm Captive Nut                          | 049381900   |
| 8   | PGC Lid 2004                                  | 149501300   |
| 9   | Plastic Lid Sweeper Bag boss                  | 183023900   |
| 10  | 04 PGC R/H Side Plate                         | 307201600   |
| 11  | M8 Washer                                     | 08819501    |
| 12  | 04 PGC L/H Side Plate                         | 307201700   |
| 13  | Nut Nyloc M8                                  | 04920100    |
| 14  | M10 Locknut                                   | 04872100    |
| 15  | 04 PGC Upper Bag Frame                        | 178968900   |
| 16  | 04 PGC Lower Bag Frame                        | 178969100   |
| 17  | PGC Collector Net 2002                        | 389471901   |
| 18  | TR Plastic Lid Sweeper Galvanised Floor       | 301058300   |
| 19  | Floor Surround                                | 307026400   |
| 20  | Bolt M6 x 20mm                                | 018000300   |
| 21  | Bag Floor Clamp                               | 301008400   |
| 21a | Frame Tube Clamp                              | 292005100   |
| 22  | Tipping Handle Channel Sweeper 2000           | 307177300   |
| 23  | M10 Nyloc Nut                                 | 04886100    |
| 24  | Washer 10.81 i.d. x 20.7o.d x 2mm Thk         | 088002400   |
| 25  | Quick Release Ball End Shaft                  | 183010300   |
| 26  | Deck Hanging Bracket Pivot Front              | 18321000    |
| 27  | Bolt M8 x 55mm                                | 028662600   |
| 28  | Nut M6 Nyloc                                  | 04920500    |
| 29  | Sweeper Plastic Lid Spacer Black Foam         | 148009300   |
| 30  | Screw M8 x 25mm                               | 02826000    |
| 31  | Washer 9/16"                                  | 08827800    |
| 32  | Nut M6 Nyloc                                  | 04920500    |
| 33  | Spacer .                                      | 31330800    |
| 34  | Domed Washer                                  | 307029900   |
| 35  | M8 x 35mm Bolt                                | 01935700    |
| 36  | 10mm x 1.5mm Clevis Short                     | 108000600   |
| 37  | Bolt M8 x 20mm                                | 018005900   |
| 38  | Full Nut Hex M8 Z/P                           | 04822300    |