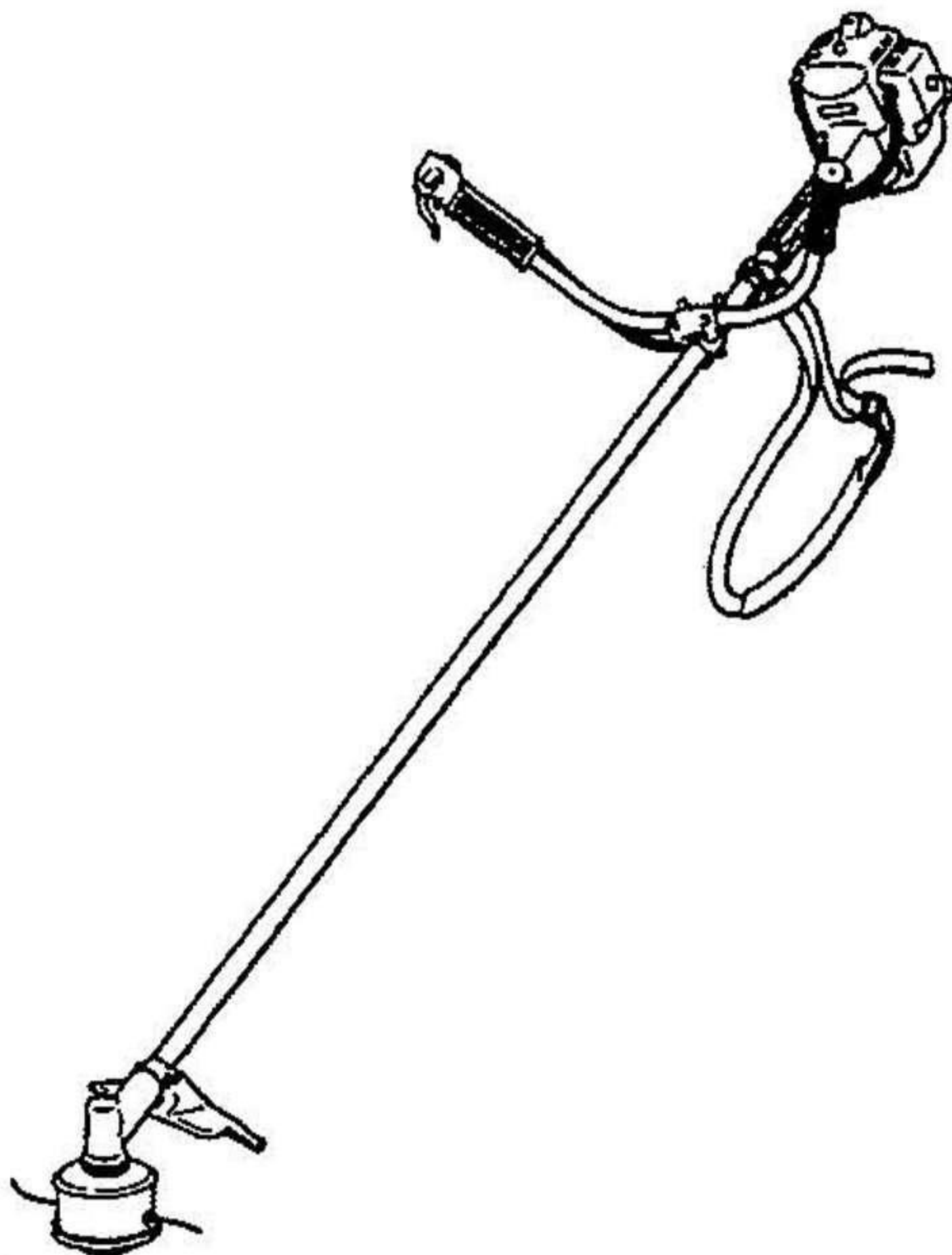


MARUYAMA

ILLUSTRATED PARTS LIST

BC2621H-CA

BRUSHCUTTER

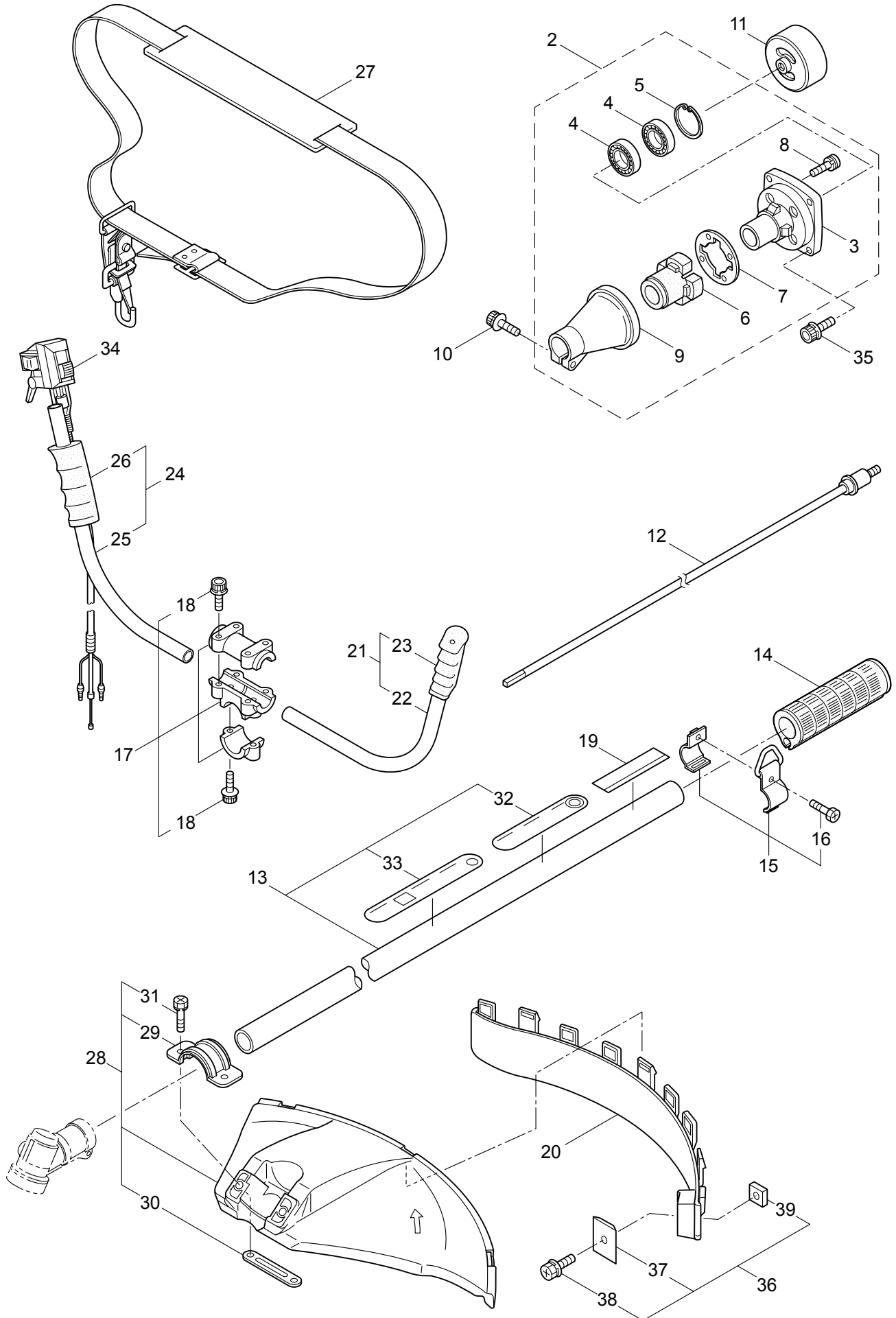


BC2621H-CA
BRUSHCUTTER
PART #522842 08/2009



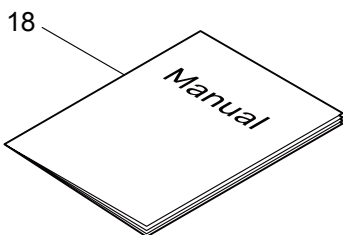
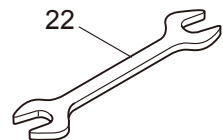
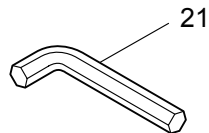
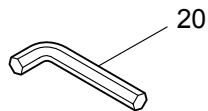
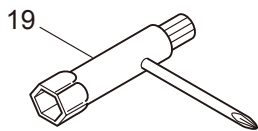
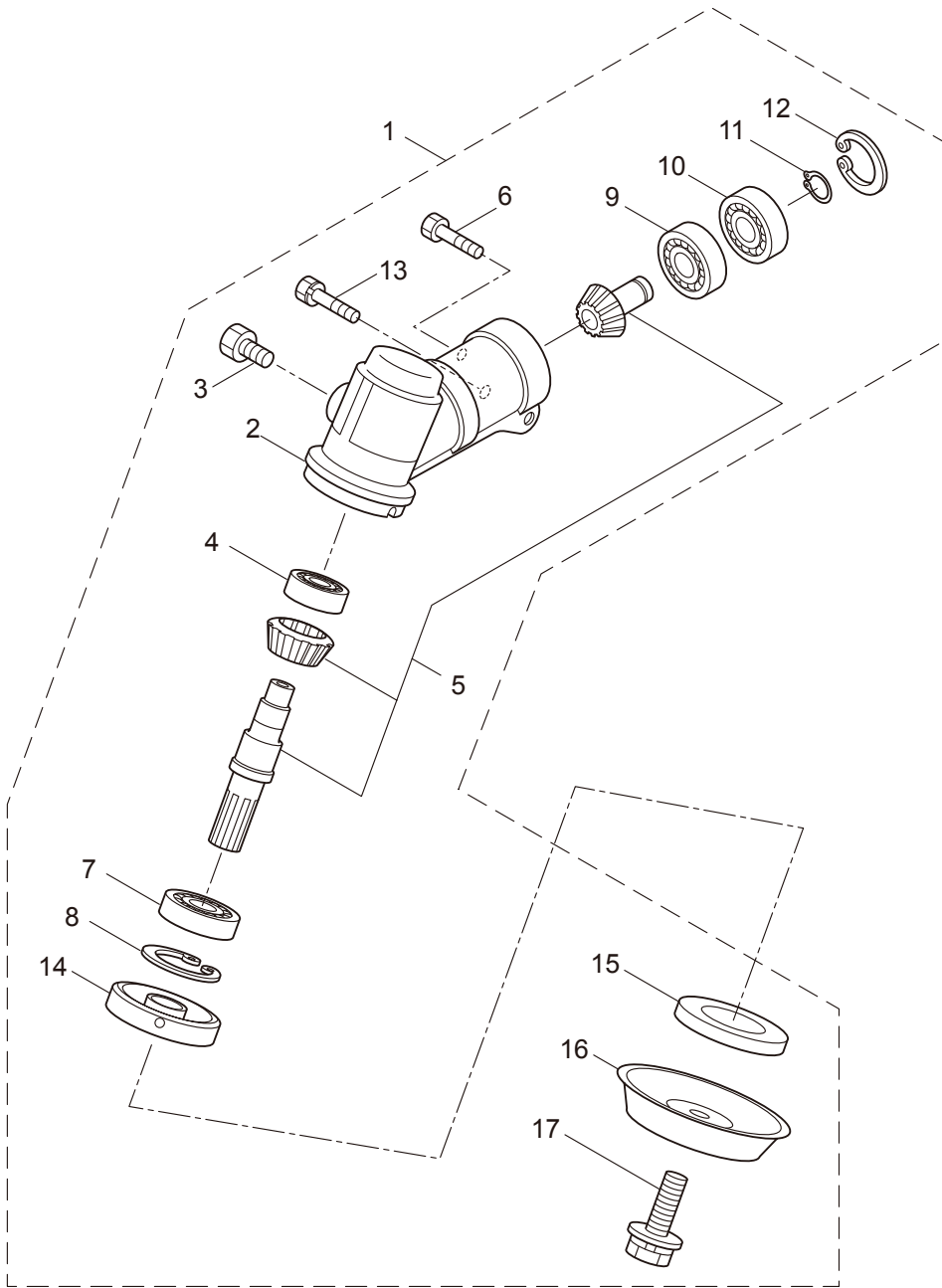
Maruyama. *E x t r a o r d i n a r y .*

1. BC2621H-CA
MAIN BODY



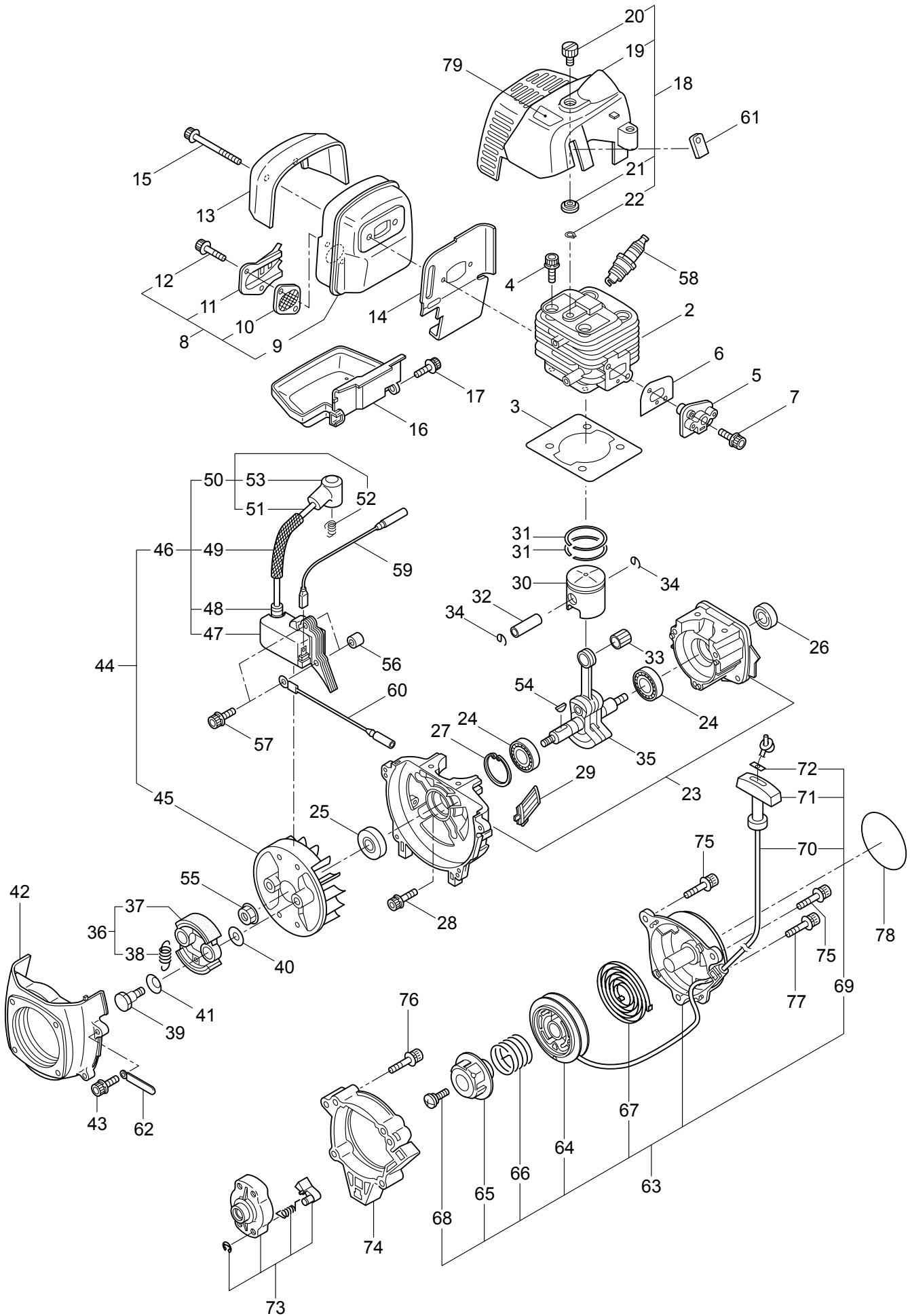
Ref. No.	Part No.	Part Name	Q'ty	Remarks
1-1				
1-2	215512	Clutch Case Ass'y	1	Incl.3-9
1-3	214592	Bearing Case	1	
1-4	214161	Bearing	2	#6000ZZ
1-5	054676	Snap Ring	1	#26
1-6	214162	Buffer	1	
1-7	214163	Washer	1	
1-8	092033	Screw	4	M5x15
1-9	214593	Driveshaft Tube Adapter	1	
1-10	261246	Cap Screw	1	M5x25
1-11	054677	Clutch Drum	1	
1-12	219268	Driveshaft Ass'y	1	
1-13	220078	Driveshaft Tube Ass'y	1	Incl.32,33
1-14	215532	Shaft Grip	1	
1-15	054691	Hanging Bracket Ass'y	1	Incl.16
1-16	089738	Bolt	1	M5x15
1-17	216935	Bracket Ass'y	1	Incl.18
1-18	261246	Cap Screw	6	M5x25
1-19	230958	Label	1	BC2621H-CA
1-20	230748	Cover Extention	1	
1-21	225225	Handle (A) Ass'y	1	Incl.22,23
1-22	219362	Handle (A)	1	
1-23	218467	Handle Grip	1	
1-24	225227	Handle (B) Ass'y	1	Incl.25,26
1-25	219363	Handle (B)	1	
1-26	218468	Handle Grip	1	
1-27	220533	Hanging Strap Ass'y	1	
1-28	228302	Safety Cover Ass'y	1	Incl.29-31
1-29	227822	Bracket	1	
1-30	227819	Bracket	1	
1-31	092555	Bolt	2	M6x30
1-32	221501	Label	1	Warning
1-33	221502	Label	1	Caution
1-34	221784	Throttle Trigger	1	
1-35	261250	Cap Screw	4	M5x20
1-36	230789	Code Cutter Ass'y	1	Incl.37-39
1-37	227823	Code Cutter	1	
1-38	817002	Bolt	1	M5x20
1-39	228325	Nut	1	

2. BC2621H-CA
GEARCASE



Ref. No.	Part No.	Part Name	Q'ty	Remarks
2-1	228403	Gearcase Ass'y	1	Incl.2-17
2-2	225960	Gearcase	1	
2-3	089101	Bolt	1	M8x10
2-4	227990	Bearing	1	#608
2-5	228416	Gear Set	1	
2-6	225896	Bolt	1	M5x10
2-7	227991	Bearing	1	#6001DDU
2-8	055185	Snap Ring	1	#28
2-9	227992	Bearing	1	#609
2-10	227993	Bearing	1	#609Z
2-11	228477	Snap Ring	1	#9
2-12	140270	Snap Ring	1	#24
2-13	092561	Bolt	1	M5x25
2-14	212986	Boss Adapter	1	
2-15	140275	Clamping Washer	1	
2-16	215547	Stabilizer	1	
2-17	215610	Bolt	1	M8x22,Counterclockwise
2-18	227829	Instruction Manual	1	
2-19	210418	Box Spanner	1	13x19x(+)
2-20	219431	Wrench	1	3mm
2-21	219432	Wrench	1	4mm
2-22	022865	Double-ended Wrench	1	8x10

3. BC2621H-CA
ENGINE



Ref. No.	Part No.	Part Name	Q'ty	Remarks
3-2	283734	Cylinder	1	
3-3	283783	Gasket	1	
3-4	261250	Cap Screw	4	M5x20
3-5	269144	Insulator	1	New gasket required
3-6	267049	Gasket	1	
3-7	265924	Cap Screw	2	M5x25
3-8	282208	Muffler Ass'y	1	Incl.9-12
3-9	282209	Muffler Comp.	1	
3-10	267056	Spark Arrester	1	
3-11	268171	Muffler Tail	1	
3-12	265107	Cap Screw	2	M4x10
3-13	284071	Holder	1	
3-14	283940	Gasket	1	
3-15	266402	Cap Screw	2	M5x55
3-16	281435	Under Cover	1	
3-17	267191	Cap Screw	1	M5x16
3-18	281742	Top Cover Ass'y	1	Incl.19-22
3-19	281434	Top Cover	1	
3-20	261018	Knob	1	
3-21	261020	Spacer	1	
3-22	261734	Snap Ring	1	#5
3-23	268241	Crankcase	1	
3-24	261491	Bearing	2	#6001C3
3-25	261492	Oil Seal	1	ISCD12287
3-26	261386	Oil Seal	1	ISCD12227
3-27	055185	Snap Ring	1	#28
3-28	261612	Cap Screw	3	M5x30
3-29	281442	Screen	1	
3-30	268247	Piston	1	
3-31	261496	Piston Ring	2	(2)Required
3-32	261497	Piston Pin	1	
3-33	261037	Bearing,Needle	1	KBK8x11x11.8x1
3-34	261576	Clip,Piston	2	
3-35	265197	Crankshaft/Conn.Rod Ass'y	1	
3-36	267327	Clutch Ass'y	1	Incl.37,38
3-37	267342	Clutch Shoe	2	(2)required
3-38	267345	Spring,Clutch	1	
3-39	264505	Bolt	2	
3-40	261189	Washer	2	6x16.5x1.2
3-41	261777	Wave Washer	2	
3-42	281433	Fan Cover	1	
3-43	261250	Cap Screw	4	M5x20
3-44	283729	Magneto Ass'y	1	Incl.45-53
3-45	268253	Rotor/Fan	1	

