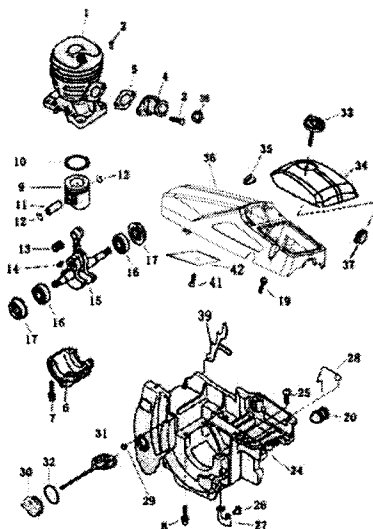


# PARTS CATALOG

4010 Gasoline Chain Saw

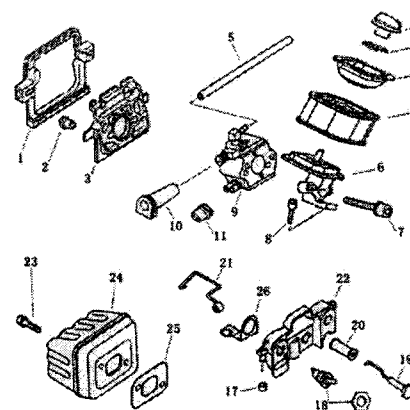
2011.5

## A



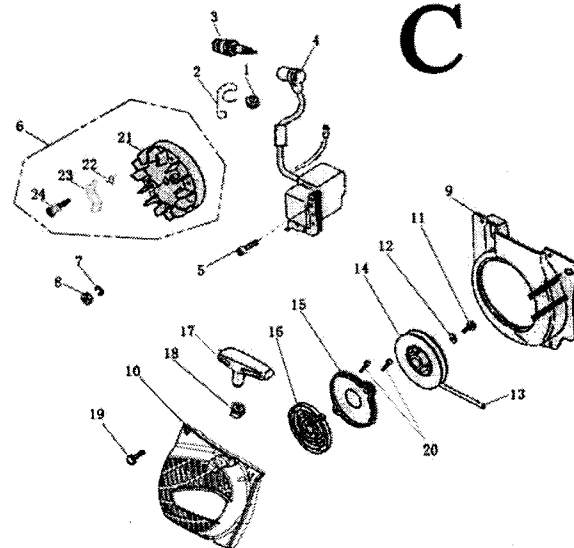
KEY	DESCRIPTION	QTY	KEY	DESCRIPTION	QTY
A01	CYLINDER	1	A24	ENGINE COVER ASS'Y	1
A02	VENT-PIPE NIB	1	A25	SCREW ST4.2X8.5F	1
A03	SCREW M5X13	2	A26	NUT	2
A04	INLET PIPE ASS'Y	1	A27	GROUND PLATE (I)	1
A05	INTAKE GASKET	1	A28	WIRE	1
A06	CRANKCASE SET	1	A29	BREATHER	1
A07	SCREW M5X25	4	A30	TANK CAP	1
A08	SCREW M5X32	4	A31	LINK	1
A09	PISTON ASS'Y	1	A32	SUMP COVER WASHER	1
A10	PISTON RING	1	A33	CLEANER LID KNOB	1
A11	PISTON PIN	1	A34	CLEANER LID	1
A12	CIRCLIP	2	A35	HT CORD GROMMET	1
A13	NEEDLE BEARING	1	A36	CYLINDER COVER ASS'Y	1
A14	WOODRUFF KEY	1	A37	COVER PLUG	1
A15	CRANKSHAFT COMP	1	A38	INLET PIPE GUIDE	1
A16	BALL BEARING	2	A39	SPIKED BUMPER	1
A17	OIL SEAL	2	A41	SCREW ST3.9X10F	1
A19	SCREW M5X20	2	A42	GUIDE PLATE	1
A20	DAMPING STOPPER	2			

## B

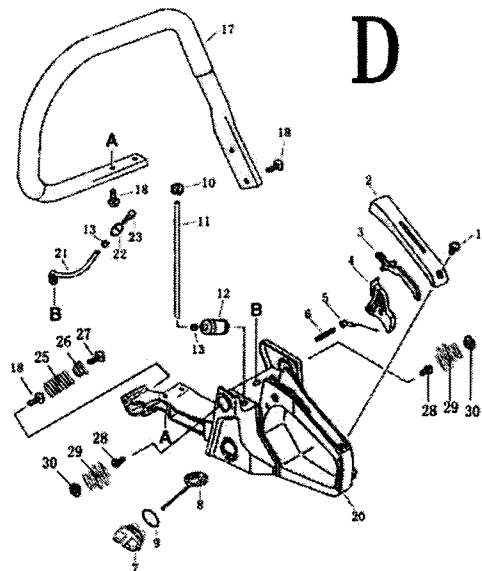


KEY	DESCRIPTION	QTY	KEY	DESCRIPTION	QTY
B01	CUSHION	1	B14	AIR CLEANER BRACKET	1
B02	NUT	2	B15	AIR CLEANER ASS'Y	1
B03	CARBURETOR BRACKET	1	B17	CUSHION	2
B05	INLET PIPE	1	B18	SWITCH (ON/OFF)	1
B06	MANIFOLD COMP	1	B19	CHOKE ROD ASS'Y	1
B07	SCREW M5X50	2	B20	CUSHION	1
B08	SCREW ST3.9X14F	1	B21	THROTTLE ROD ASS'Y	1
B09	CARBURETOR	1	B22	CONTROL BRACKET	1
B10	GUIDE	1	B23	SCREW	2
B11	GUIDE (L-H)	1	B24	MUFFLER	1
B12	NUT	1	B25	MUFFLER GASKET	1
B13	NYLON GASKET	1	B26	GROUND PLATE (II)	1

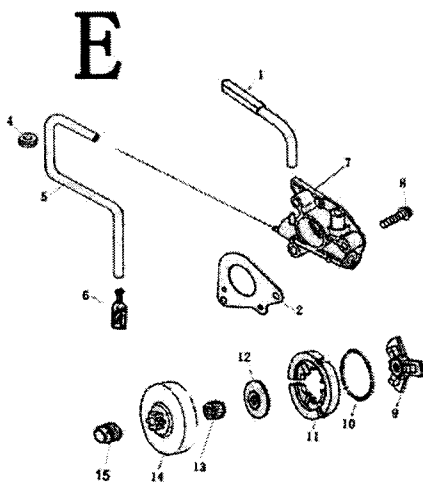
## C



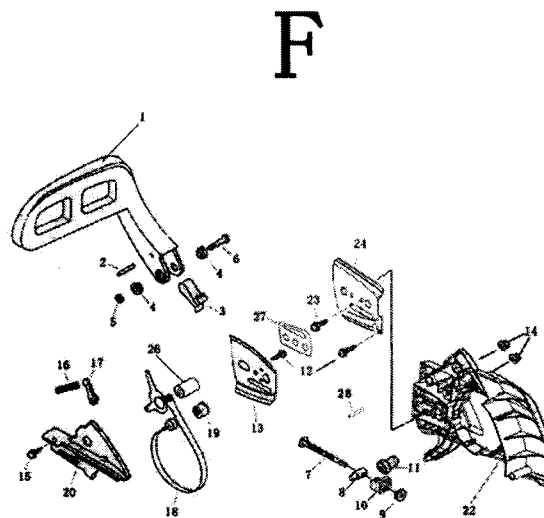
KEY	DESCRIPTION	QTY
C01	BUSHING	1
C02	BUSHING BRACKET	1
C03	SPARK PLUG	1
C04	IGNITION ASS'Y	1
C05	SCREW M5X22	2
C06	FLYWHEEL ASS'Y	1
C07	SPRING WASHER 8	1
C08	NUT M8	1
C09	FAN COVER	1
C10	STARTER COVER ASS'Y	1
C11	SCREW M5X14	1
C12	WASHER 5	1
C13	NYLON ROPE	1
C14	STARTER REEL	1
C15	STARTER REEL SET	1
C16	RECOIL SPRING	1
C17	STARTER KNOB	1
C18	ROPE GUIDE	1
C19	SCREW MAX15	4
C20	SCREW ST3.5X8F	2
C21	FLYWHEEL	1
C22	TORSION SPRING	2
C23	STARTING CLAW	2
C24	SHOULDER SCREW	2



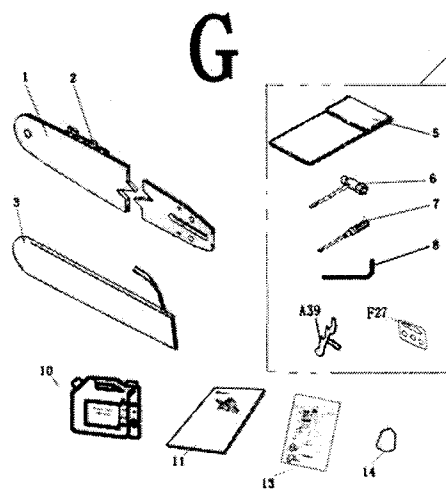
KEY	DESCRIPTION	QTY
D01	SCREW ST3. 9X14F	1
D02	REAR HANDLE COVER	1
D03	TRIGGER INTERLOCK ARM	1
D04	TRIGGER	1
D05	SPRING	1
D06	PIN 4*30	1
D07	FUEL TANK CAP	1
D08	FUEL TANK LINK	1
D09	AIRPROOF WASHER	1
D10	FUEL PIPE BUSHING	1
D11	FUEL PIPE	1
D12	FUEL STRAINER ASS'Y	1
D13	CLIP 5.7	2
D17	FRONT HANDLE ASS'Y	1
D18	SCREW ST4. 8*16F	5
D20	REAR HANDLE	1
D21	BREATHER PIPE	1
D22	BREATHER COVER	1
D23	FUEL BREATHER ASS'Y	1
D25	DAMPING SPRING	1
D26	SPRING SEAT	1
D27	SCREW M6X16	1
D28	SCREW M5X13	2
D29	REAR DAMPING SPRING	2
D30	SPRING CAP	2



KEY	DESCRIPTION	QTY
E01	OIL PUMP PIPE (O)	1
E02	OIL PUMP SEAL PLATE	1
E04	OIL PIPE BUSHING	1
E05	OIL PUMP PIPE (I)	1
E06	OIL STRAINER ASS'Y	1
E07	OIL PUMP	1
E08	SCREW M4X15	2
E09	WEDGE BRACKET	1
E10	CLUTCH SPRING	1
E11	WEDGE	3
E12	WEDGE BRACKET WASHER	1
E13	NEEDLE BEARING	1
E14	CLUTCH DRUM ASS'Y	1
E15	OIL PUMP COVER	1



KEY	DESCRIPTION	QTY
F01	BRAKE LEVER ASS'Y	1
F02	PIN 3. 5X24	1
F03	SPRING	1
F04	SPACER	2
F05	LOCK NUT M6	1
F06	SCREW M5X30	1
F07	BOLT	1
F08	PIN	1
F09	BEVEL GEAR	1
F10	COLLAR	1
F11	BEVEL GEAR	1
F12	SCREW ST3.9X10F	2
F13	GUIDE PLATE	1
F14	NUT M8	2
F15	SCREW ST3. 9X10F	2
F16	BRAKE SPRING	1
F17	BRAKE LEVER ASS'Y	1
F18	BRAKE STOPPER ASS'Y	1
F19	BRAKE ADJUSTER	1
F20	BRAKE SPRING COVER	1
F22	CLUTCH COVER ASS'Y	1
F23	SCREW M3X6	1
F24	SPROCKET GUARD PLATE	1
F26	GUIDE	1
F27	PAPER GASKET	1
F28	FLEXIBLE PIN	1



KEY	DESCRIPTION	QTY
G01	GUIDE BAR	1
G02	SAW CHAIN	1
G03	GUIDE BAR COVER	1
G04	FOLLOW TOOLS	1
G05	TOOL BAG	1
G06	WRENCH	1
G07	SCREW DRIVER	1
G08	T25 WRENCH	1
G10	FUEL MIXTURE KETTLE	1
G11	OWNER' S MANUAL	1
G13	PACKING LIST	1
G14	ACCEPTANCE CERTIFICATE	1