

PARTS LIST

MX27H

CONTENTS

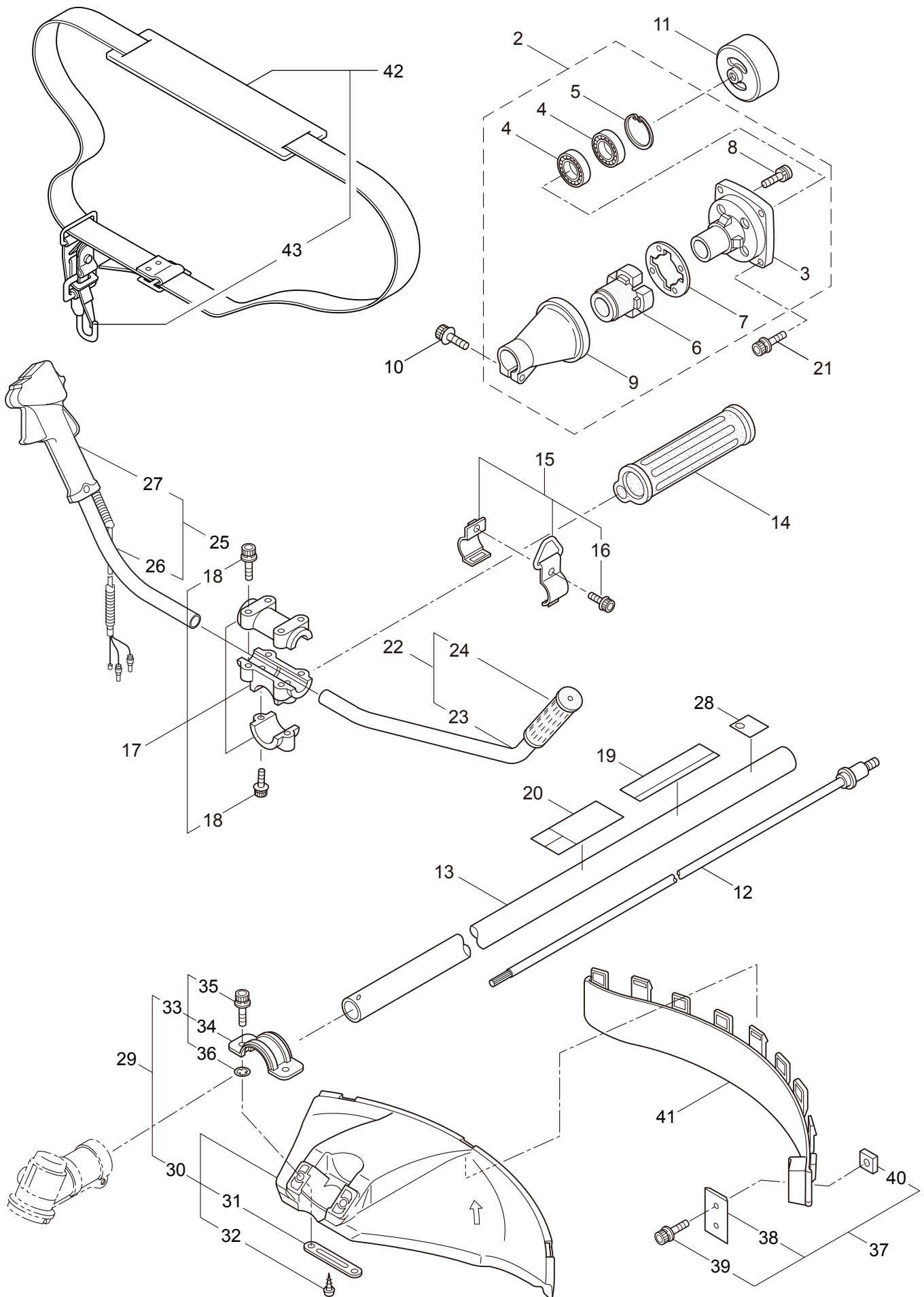
1. MAIN BODY	1 ~ 2
2. GEARCASE	3 ~ 4
3. ENGINE	5 ~ 8
4. CARBURETOR, FUEL TANK	9 ~ 10
5. ACCESSORIES	11 ~ 12

2011. 11.



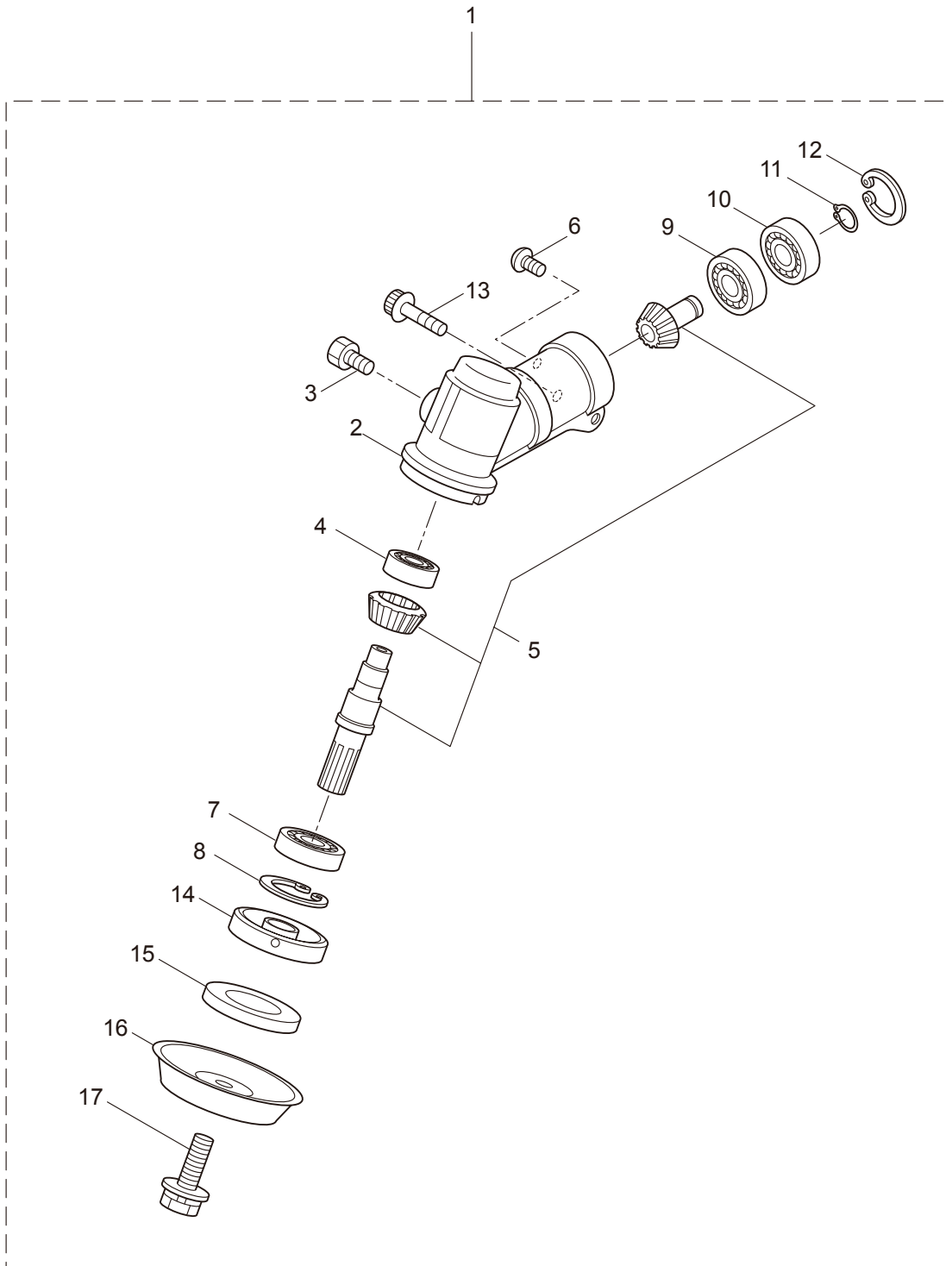
P/N 523269

1. MX27H
MAIN BODY



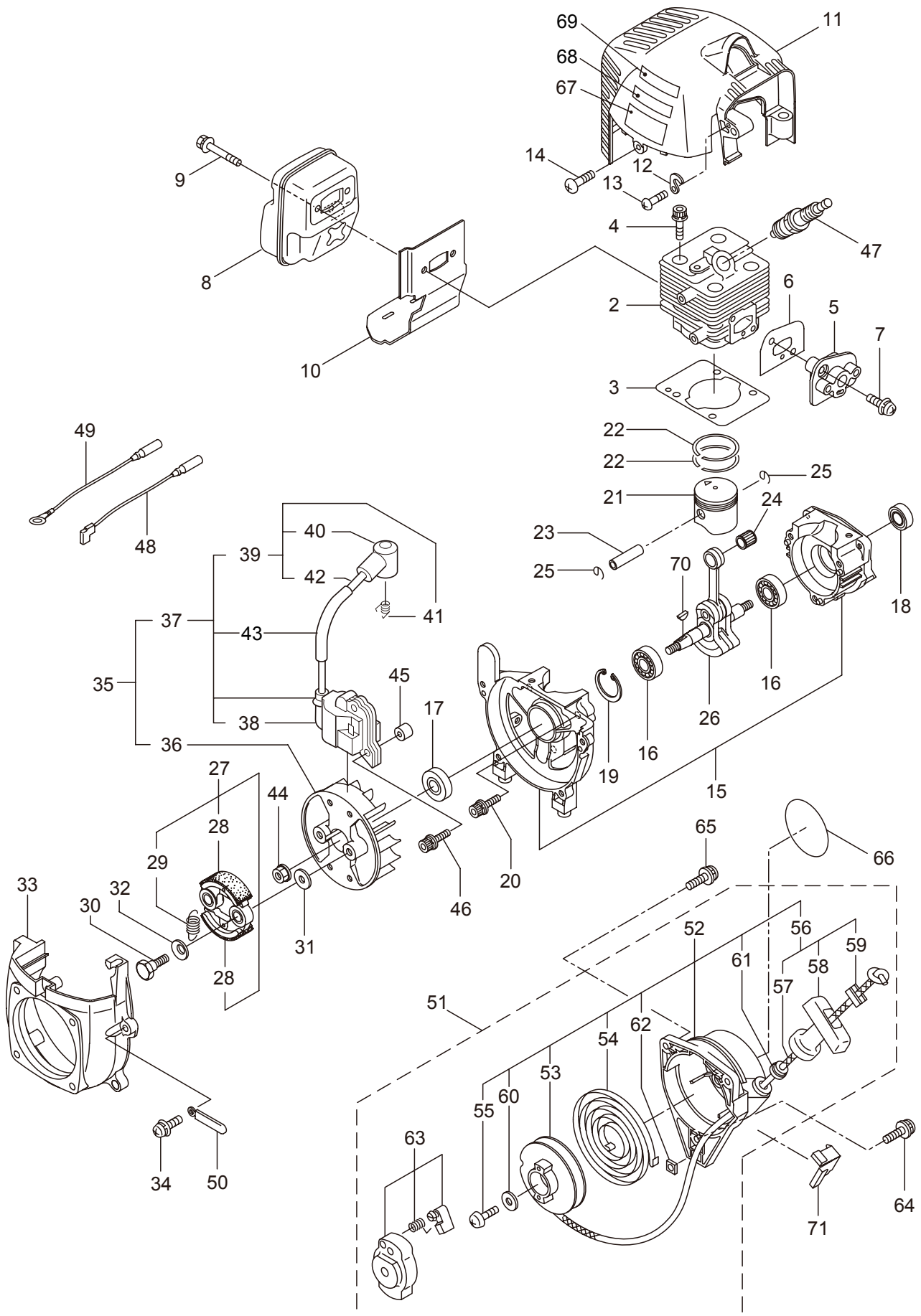
Ref. No.	Part No.	Part Name	Q'ty	Remarks
1-1	363910	MX27H-01	1	
1-1	363921	MX27H-02	1	
1-2	215512	Clutch Case Ass'y	1	Incl.3-9
1-3	214592	Bearing Case	1	
1-4	214161	Bearing	2	#6000ZZ
1-5	054676	Snap Ring	1	#26
1-6	214162	Buffer	1	
1-7	214163	Washer	1	
1-8	092033	Screw	4	M5x15
1-9	214593	Driveshaft Tube Adapter	1	
1-10	261246	Cap Screw	1	M5x25
1-11	229091	Clutch Drum	1	
1-12	219268	Driveshaft Ass'y	1	
1-13	218711	Driveshaft Tube	1	
1-14	215532	Shaft Grip	1	
1-15	215533	Hanging Bracket Ass'y	1	Incl.16
1-16	261762	Cap Screw	1	M5x14
1-17	216935	Bracket Ass'y	1	Incl.18
1-18	261246	Cap Screw	6	M5x25
1-19	233291	Label	1	MX27H
1-20	223188	Label	1	
1-21	261250	Cap Screw	4	M5x20
1-22	229859	Handle Ass'y-Left	1	Incl.23,24
1-23	221441	Handle	1	
1-24	226503	Grip	1	
1-25	223964	Handle Ass'y-Right	1	Incl.26,27
1-26	223286	Handle	1	
1-27	223156	Throttle Trigger	1	
1-28	228043	Label	1	
1-29	232086	Safety Cover Ass'y	1	Incl.30-36
1-30	231252	Safety Cover Ass'y	1	Incl.31,32
1-31	227819	Bracket	1	
1-32	221580	Screw	1	4x8
1-33	232087	Bracket Ass'y	1	Incl.34-36
1-34	227822	Bracket	1	
1-35	220632	Cap Screw	2	M6x30
1-36	231704	Washer	2	6x13xt1.0
1-37	231882	String Cutter Ass'y	1	Incl.38-40
1-38	230747	String Cutter	1	
1-39	261250	Cap Screw	1	M5x20
1-40	228325	Nut	1	
1-41	230748	Cover Extention	1	
1-42	220533	Hanging Strap Ass'y	1	Incl.43
1-43	231657	Hook	1	

2. MX27H
GEARCASE



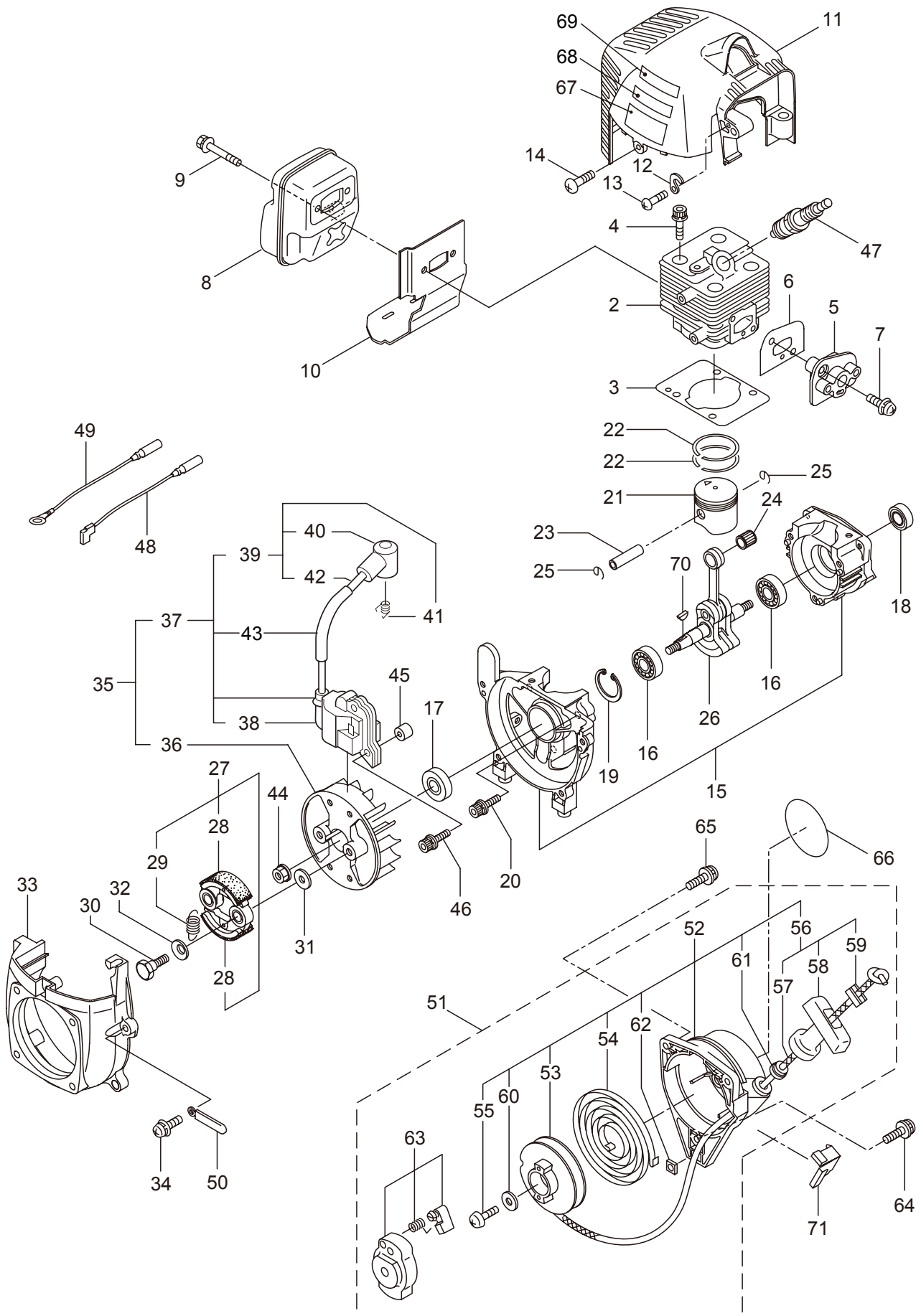
Ref. No.	Part No.	Part Name	Q'ty	Remarks
2-1	231880	Gearcase Ass'y	1	Incl.2-17
2-2	225960	Gearcase	1	
2-3	089101	Bolt	1	M8x10
2-4	227990	Bearing	1	#608
2-5	228416	Gear Set	1	
2-6	219087	Cap Screw	1	M5x10
2-7	227991	Bearing	1	#6001DDU
2-8	055185	Snap Ring	1	#28
2-9	227992	Bearing	1	#609
2-10	227993	Bearing	1	#609Z
2-11	228477	Snap Ring	1	#9
2-12	140270	Snap Ring	1	#24
2-13	261246	Cap Screw	1	M5x25
2-14	212986	Boss Adapter	1	
2-15	140275	Clamping Washer	1	
2-16	215547	Stabilizer	1	
2-17	215610	Bolt	1	M8x22,Counterclockwise

3. MX27H ENGINE



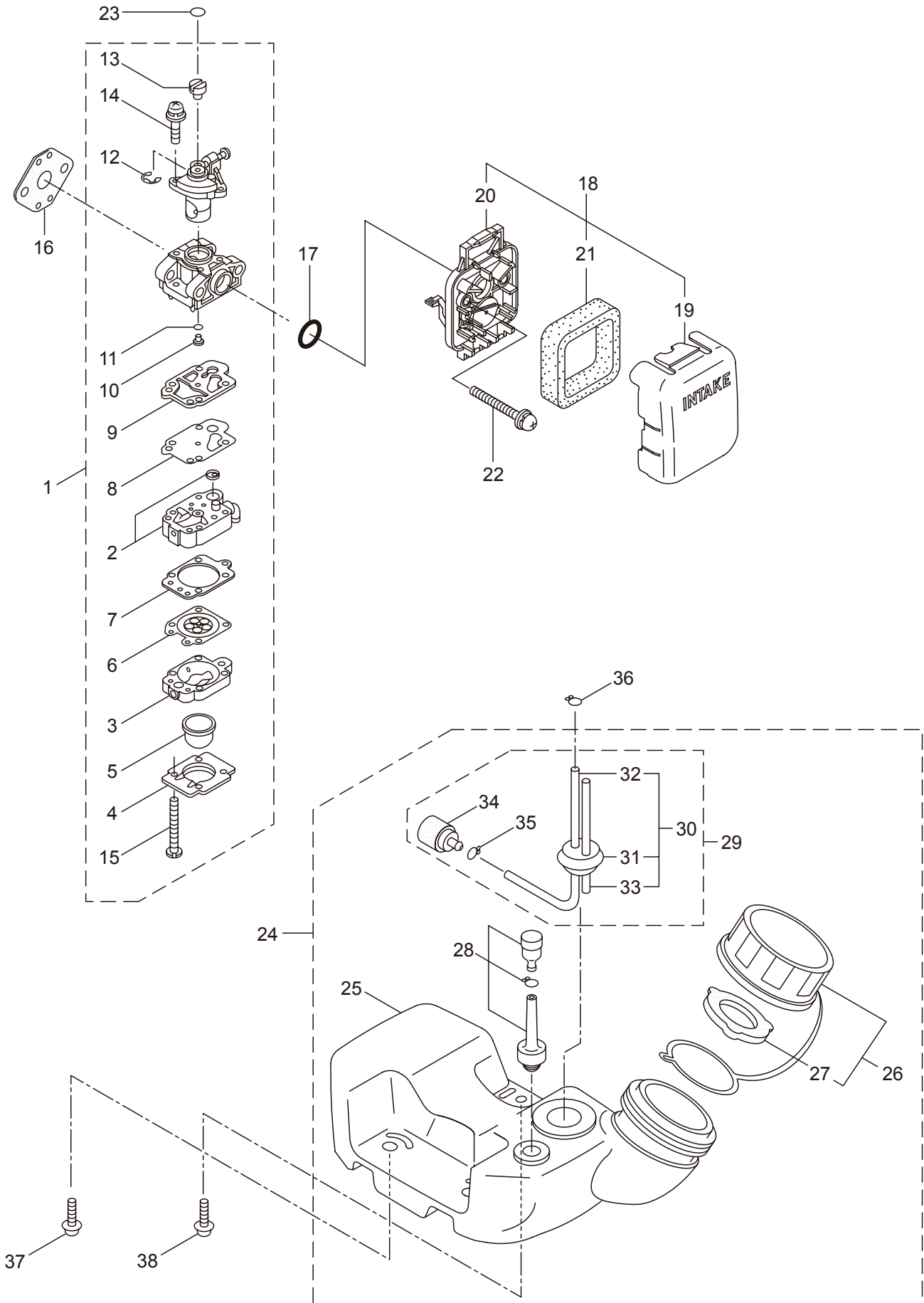
Ref. No.	Part No.	Part Name	Q'ty	Remarks
3-1	858981	Engine	1	EE260/22
3-2	269140	Cylinder	1	New gasket required
3-3	282330	Gasket	1	
3-4	261250	Cap Screw	4	M5x20
3-5	263772	Insulator	1	New gasket required
3-6	267049	Gasket	1	
3-7	269826	Screw	2	M5x25
3-8	285102	Muffler Comp.	1	
3-9	266264	Cap Screw	2	M5x50
3-10	282252	Gasket	1	
3-11	285056	Top Cover	1	
3-12	283983	Hook	1	
3-13	283984	Screw	1	M3x10
3-14	280144	Tapping Screw	1	
3-15	282245	Crankcase	1	
3-16	280488	Bearing	2	PPL 6001
3-17	261492	Oil Seal	1	ISCD12287
3-18	261386	Oil Seal	1	ISCD12227
3-19	055185	Snap Ring	1	#28
3-20	261612	Cap Screw	3	M5x30
3-21	269160	Piston	1	
3-22	261496	Piston Ring	2	(2)Required
3-23	261497	Piston Pin	1	
3-24	261037	Bearing,Needle	1	KBK8x11x11.8x1
3-25	261576	Clip,Piston	2	
3-26	282323	Crankshaft/Conn.Rod Ass'y	1	
3-27	269168	Clutch Ass'y	1	Incl.28,29
3-28	269169	Clutch Shoe	2	(2)required
3-29	269173	Spring, Clutch	1	
3-30	269647	Clutch Bolt	2	
3-31	269175	Washer	2	6.1x15x1.6
3-32	261777	Wave Washer	2	
3-33	283386	Fan Cover	1	
3-34	269831	Screw	4	M5x20
3-35	285324	Magneto Ass'y	1	incl.36-43
3-36	261356	Rotor/Fan	1	
3-37	285325	Ignition Coil Ass'y	1	Incl.38-43
3-38	267401	Coil	1	
3-39	285326	Spark Prug Wire Ass'y	1	Incl.40-42
3-40	261074	Plug Boot	1	
3-41	261075	Connector	1	
3-42	285327	Spark Prug Wire	1	
3-43	285328	Insulator	1	
3-44	261417	Nut,Rotor	1	M8
3-45	280381	Spacer	2	

3. MX27H ENGINE



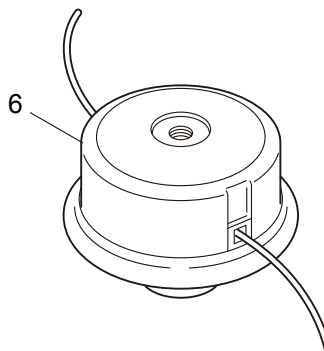
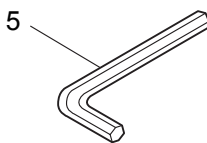
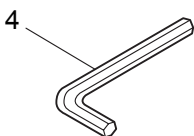
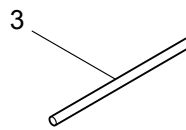
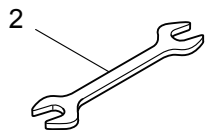
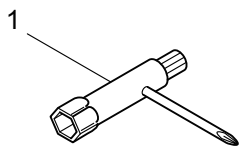
Ref. No.	Part No.	Part Name	Q'ty	Remarks
3-46	261256	Cap Screw	2	M4x25
3-47	262483	Spark Plug	1	NGK BPMR6Y
3-48	267492	Lead	1	130L
3-49	282880	Wire, Lead	1	
3-50	264588	Clamp	1	
3-51	280419	Recoil Starter Ass'y	1	Incl.52-63
3-52	269999	Recoil Ass'y	1	Incl.53-62
3-53	280492	Reel	1	
3-54	287421	Spiral Spring	1	
3-55	280494	Screw	1	
3-56	280495	Starter Rope Ass'y	1	Incl.57-59
3-57	283616	Starter Rope	1	
3-58	280497	Starter Grip	1	
3-59	280550	Stopper	1	
3-60	280547	Washer	1	
3-61	280548	Collar	1	
3-62	269423	Nut	1	
3-63	287399	Stator Pulley Ass'y	1	
3-64	269833	Screw	1	M4x16
3-65	280489	Screw	2	M4x20
3-66	288697	Label	1	EE260
3-67	286122	Label	1	MARUYAMA
3-68	284587	Label	1	
3-69	267561	Label	1	
3-70	261076	Woodruff Key	1	3x10
3-71	288500	Plate	1	

4. MX27H
 CARBURETOR, FUEL TANK



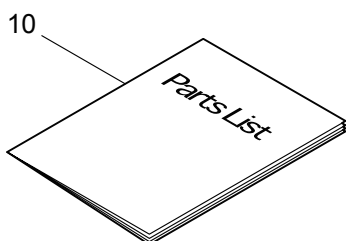
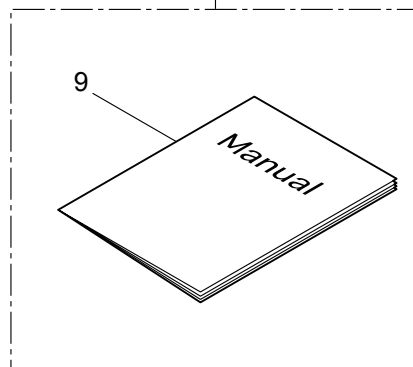
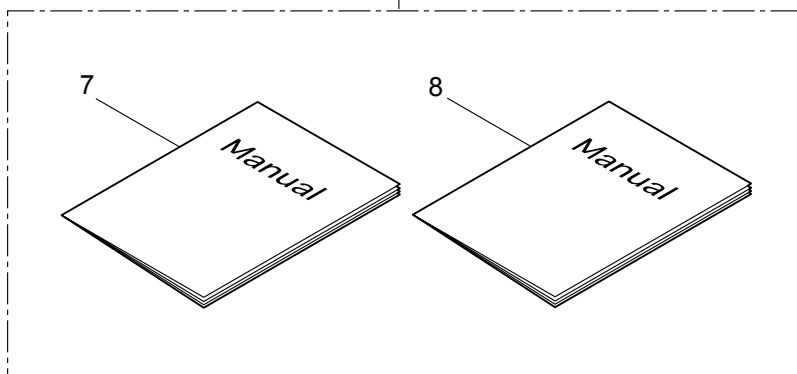
Ref. No.	Part No.	Part Name	Q'ty	Remarks
4-1	286274	Carburetor Ass'y	1	Incl.2-15 New gasket required
4-2	263739	Pump Body	1	
4-3	262991	Purge Body	1	
4-4	262992	Cover Plate	1	
4-5	261874	Primer Bulb	1	
4-6	283905	Diaphragm, Meterring	1	
4-7	262993	Gasket	1	
4-8	262994	Diaphragm,Fuel Pump	1	
4-9	282576	Gasket	1	
4-10	267358	Main Jet	1	
4-11	261871	O-Ring	1	
4-12	261876	E-Ring	1	
4-13	261658	Swivel	1	
4-14	264682	Screw	2	
4-15	262996	Screw	4	
4-16	261864	Gasket	1	
4-17	264691	O-Ring	1	
4-18	266420	Cleaner Ass'y	1	Incl.19-21
4-19	264709	Cover	1	
4-20	266433	Housing	1	
4-21	264695	Filter	1	
4-22	269834	Screw	2	
4-23	280020	Swivel Ring	1	
4-24	284023	Fuel Tank Ass'y	1	Incl.25-35
4-25	282250	Fuel Tank	1	
4-26	281564	Fuel Tank Cap Ass'y	1	Incl.27
4-27	269377	Gasket	1	
4-28	261696	Breather Ass'y	1	
4-29	265752	Fuel Pipe Pick-up Ass'y	1	Incl.30-35
4-30	264031	Fuel Pipe Ass'y	1	Incl.31-33
4-31	261115	Grommet	1	
4-32	261690	Fuel Pipe	1	160L
4-33	263038	Return Pipe	1	3x6x85L
4-34	264653	Filter Ass'y	1	
4-35	261117	Clip	1	
4-36	261117	Clip	1	
4-37	269828	Screw	2	M5x16
4-38	281208	Screw	1	M5x16

5. MX27H
ACCESSORIES



MX27H-01

MX27H-02



Ref. No.	Part No.	Part Name	Q'ty	Remarks
5-1	210418	Box Spanner	1	13x19x(+)
5-2	022865	Double-ended Wrench	1	8x10
5-3	210181	Lever Handle	1	3.5x170L
5-4	219432	Wrench	1	4mm
5-5	219433	Wrench	1	5mm
5-6	232226	Semi-Auto Head (L)	1	
5-7	233234	Instruction Manual	1	MX27H-01
5-8	233326	Instruction Manual	1	MX27H-01
5-9	233336	Instruction Manual	1	MX27H-02
5-10	523269	Parts List	1	MX27H-01/02