

# PARTS LIST

## MCA-E

### CONTENTS

1. MCA-E .....	1 ~ 2
----------------	-------

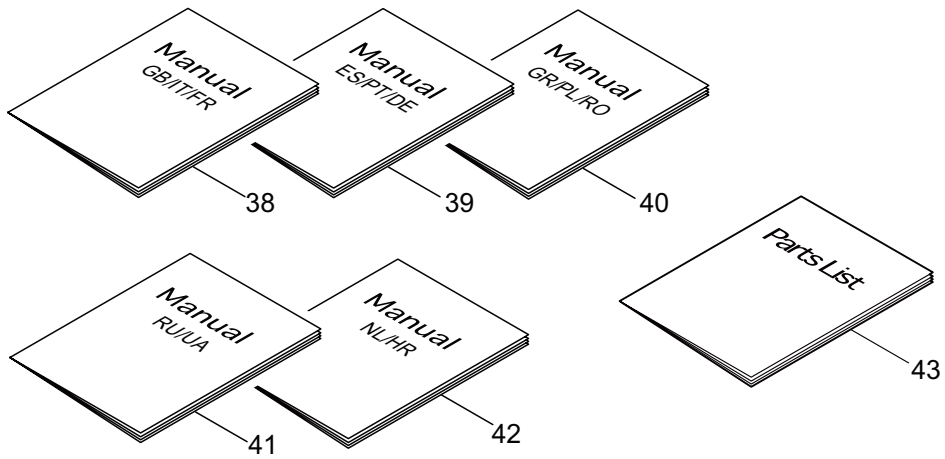
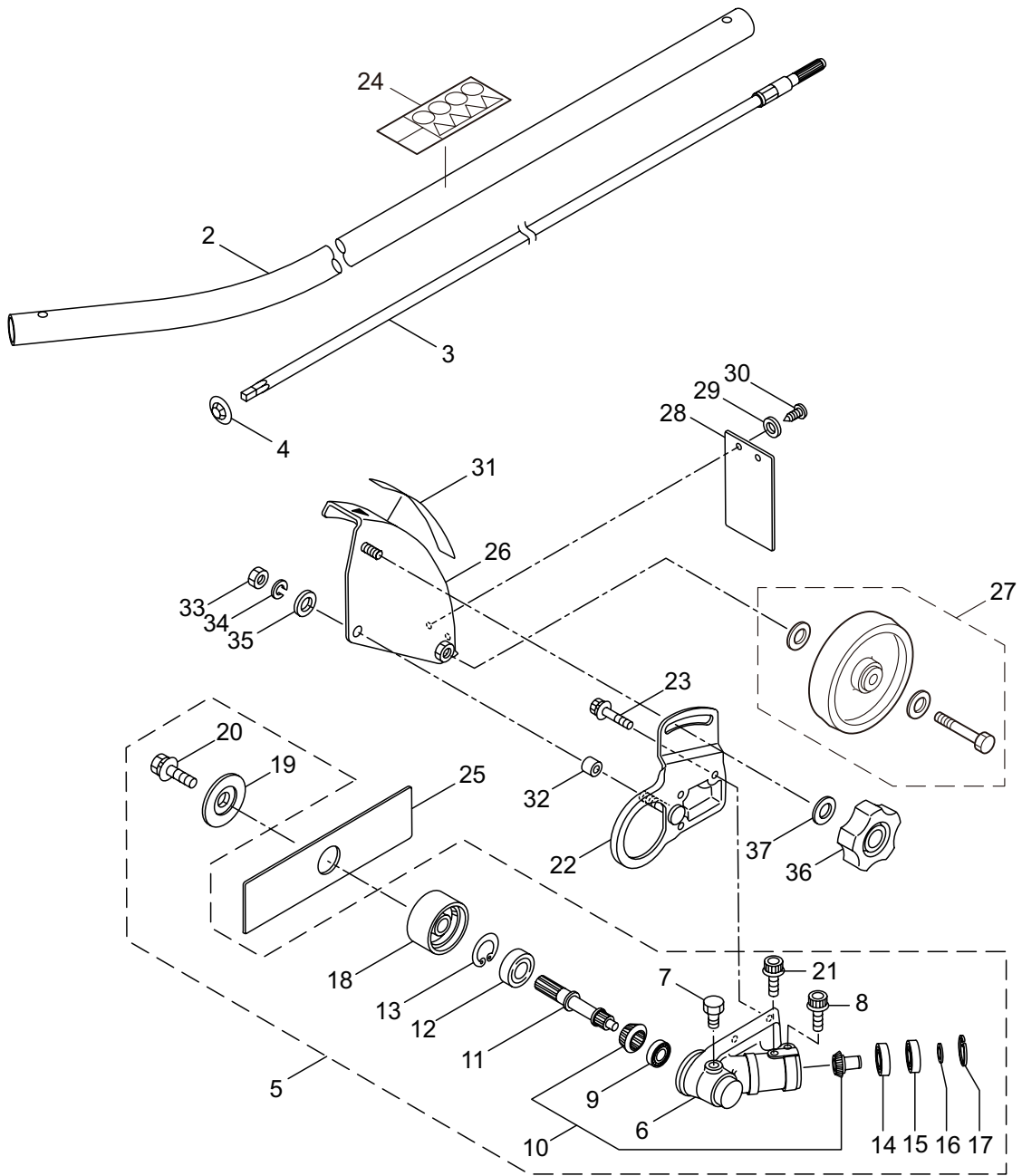
2016. 10.



**MARUYAMA**

P/N 524066-2

# 1. MCA-E



Ref. No.	Part No.	Part Name	Q'ty	Remarks
1-1	364514	MCA-E	1	
1-2	237040	Driveshaft Tube Ass'y	1	843L
1-3	237042	Driveshaft	1	876L
1-4	216631	Push Nut	1	#6
1-5	229587	Gearcase Ass'y	1	Incl.6-21
1-6	219077	Gearcase	1	
1-7	234109	Bolt	1	M8x8
1-8	261246	Cap Screw	1	M5x25
1-9	210554	Bearing	1	#608
1-10	227101	Gear Set	1	
1-11	216056	Blade Shaft	1	
1-12	212999	Bearing	1	#6001 2RK
1-13	055185	Snap Ring	1	#28
1-14	210560	Bearing	1	#609
1-15	140268	Bearing	1	#609Z
1-16	228477	Snap Ring	1	#9
1-17	140270	Snap Ring	1	#24
1-18	220148	Boss Adapter	1	
1-19	232852	Clamping Washer	1	
1-20	215610	Bolt	1	M8x22,Counterclockwise
1-21	215993	Cap Screw	1	M5x10
1-22	229572	Plate	1	
1-23	215993	Cap Screw	3	M5x10
1-24	223188	Label	1	
1-25	216062	Cutting Blade	1	50x195xt3.2
1-26	220158	Shield	1	
1-27	220160	Wheel Ass'y	1	
1-28	220162	Flap	1	
1-29	550163	Washer	2	4.3x12xt0.8
1-30	128195	Screw	2	M4x8
1-31	221528	Label	1	Caution
1-32	220165	Collar	1	8.2x10x8L
1-33	126521	Nut	1	M8
1-34	126232	Spring Washer	1	M8
1-35	127216	Washer	1	M8
1-36	219088	Clamping Knob Ass'y	1	
1-37	127216	Washer	1	M8
1-38	237736	Instruction Manual	1	GB/IT/FR
1-39	237737	Instruction Manual	1	ES/PT/DE
1-40	237738	Instruction Manual	1	GR/PL/RO
1-41	237739	Instruction Manual	1	RU/UA
1-42	238193	Instruction Manual	1	NL/HR
1-43	524066	Parts List	1	MCA-E