

PARTS LIST

MCA-S

CONTENTS

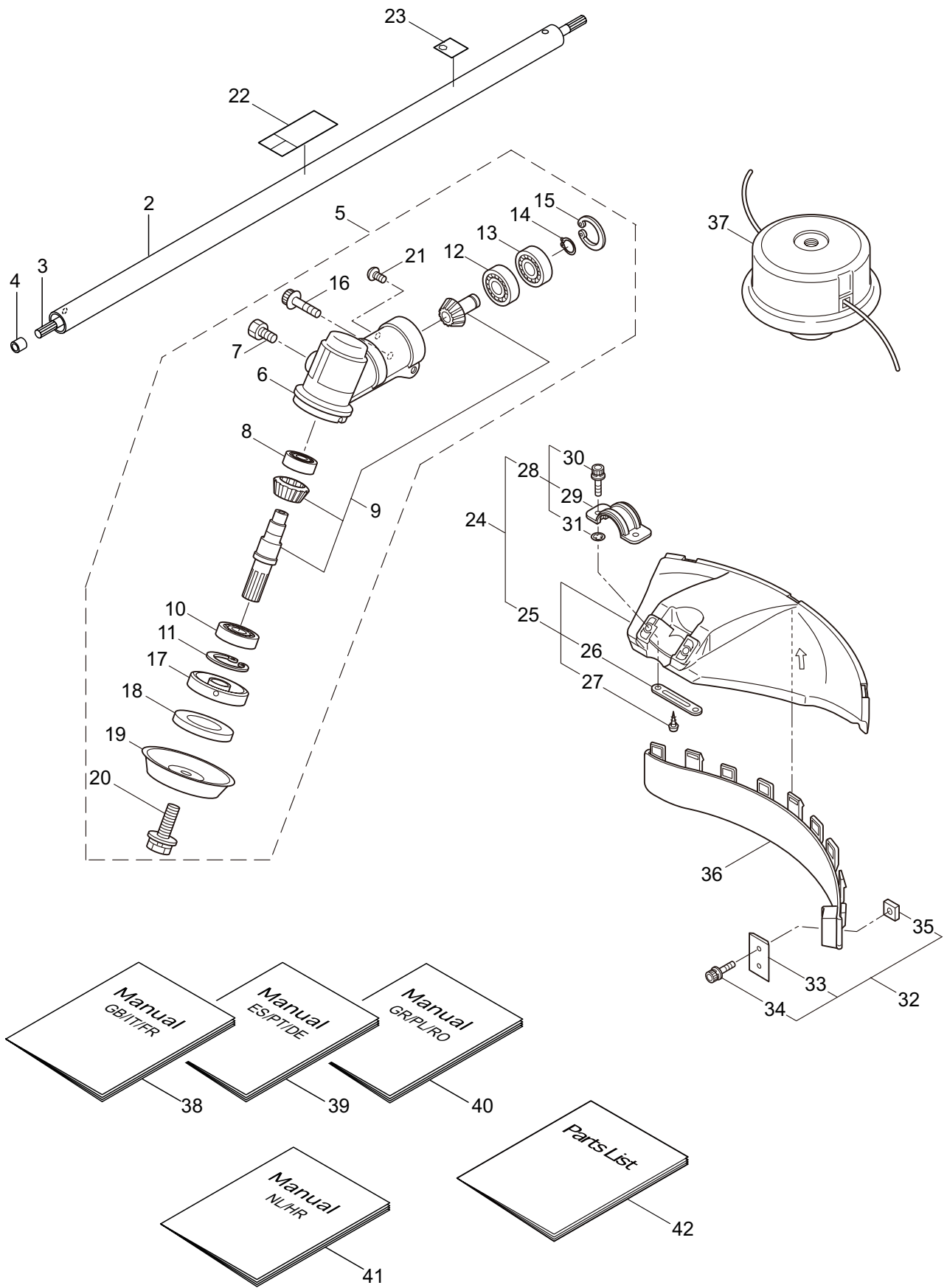
1. MCA-S	1 ~ 2
----------------	-------

2016. 01.



P/N 524065-1

1. MCA-S



Ref. No.	Part No.	Part Name	Q'ty	Remarks
1-1	364515	MCA-S	1	
1-2	237170	Driveshaft Tube Ass'y	1	
1-3	236843	Driveshaft	1	758L
1-4	216079	Stopper	1	
1-5	231880	Gearcase Ass'y	1	Incl.6-21
1-6	225960	Gearcase	1	
1-7	234109	Bolt	1	M8x8
1-8	227990	Bearing	1	#608
1-9	228416	Gear Set	1	
1-10	227991	Bearing	1	#6001DDU
1-11	055185	Snap Ring	1	#28
1-12	227992	Bearing	1	#609
1-13	227993	Bearing	1	#609Z
1-14	228477	Snap Ring	1	#9
1-15	140270	Snap Ring	1	#24
1-16	261246	Cap Screw	1	M5x25
1-17	212986	Boss Adapter	1	
1-18	140275	Clamping Washer	1	
1-19	215547	Stabilizer	1	
1-20	215610	Bolt	1	M8x22,Counterclockwise
1-21	219087	Cap Screw	1	M5x10
1-22	223188	Label	1	
1-23	225381	Label	1	114dB
1-24	232086	Safety Cover Ass'y	1	Incl.25-31
1-25	231252	Safety Cover Ass'y	1	Incl.26,27
1-26	227819	Bracket	1	
1-27	221580	Screw	1	4x8
1-28	232087	Bracket Ass'y	1	Incl.29-31
1-29	227822	Bracket	1	
1-30	220632	Cap Screw	2	M6x30
1-31	231704	Washer	2	6x13xt1.0
1-32	231882	String Cutter Ass'y	1	Incl.33-35
1-33	230747	String Cutter	1	
1-34	261250	Cap Screw	1	M5x20
1-35	228325	Nut	1	
1-36	230748	Cover Extention	1	
1-37	232226	Semi-Auto Head (L)	1	
1-38	237728	Instruction Manual	1	GB/IT/FR
1-39	237729	Instruction Manual	1	ES/PT/DE
1-40	237730	Instruction Manual	1	GR/PL/RO
1-41	238191	Instruction Manual	1	NL/HR
1-42	524065	Parts List	1	MCA-S